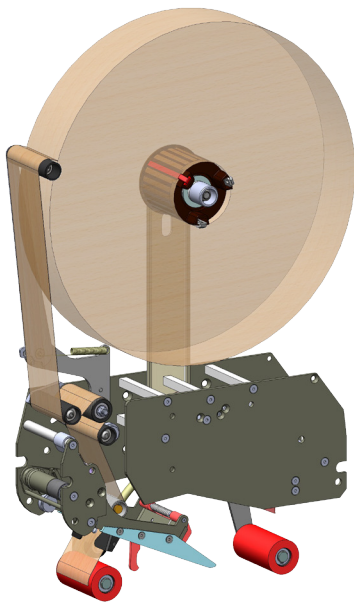




USER MANUAL

ETII+ MI



For Serial Numbers:
H279 and H779 XX X XXX



REVISION CONTROL

REVISION CONTROL

REV00

INITIAL RELEASE

TABLE OF CONTENTS

Section 1	Table Of Contents -----	3
Section 2	Technical Assistance -----	4
Section 3	Warranty -----	5
Section 4	Description Of Tape Head -----	6
Section 5	Safety Issues -----	7
Section 6	Specifications -----	10
	Tape Head Dimensions -----	10
	Tape Head Components -----	11
	Tape Head Specifications -----	12
	Installation In Other Machinery -----	13
Section 7	Set Up Procedures -----	14
	Mounting Adapters -----	15
	Tape Loading -----	16
	Tape Threading -----	17
	Tape Centering -----	19
	Tape Leg Length Adjustment -----	20
	One Way Clutched Roller Adjustment -----	21
	Main Spring Adjustment -----	21
	Mandrel Tension Adjustment -----	22
Section 8	Troubleshooting -----	23
Section 9	Recommended Spare Parts List -----	26
Section 10	Preventive Maintenance -----	28
	Knife Blade Replacement -----	28
	Oiler Pad Lubrication -----	29
	Urethane Wipe Down Roller Replacement -----	30
	Spring Replacements -----	31
	Wipe Down Brush Replacement -----	38
	Schedule Of Preventive Maintenance -----	39
Section 11	Appendix A-Illustrations And Parts Lists -----	40

TECHNICAL ASSISTANCE

Technical Support

This is the Interpack Model ET 2Plus Mirror tape head you ordered. It has been set up and tested in our factory with Intertape manufactured pressure sensitive tapes. If any problems occur when setting up or operating this equipment, please contact the authorized distributor from where you purchased this item.

If contact with the authorized distributor is not possible, **Interpack Technical Support** is available. Should the need to contact **Interpack Technical Support** arise, please have the Tape Head model number and serial number on hand. This information can be found on the threading label on the Cover Frame of the Tape Head. Interpack Technical Support is available during normal business hours (Eastern Time).

PHONE 800-474-8273 Option 3

If you have a technical question that does not require an immediate response, you may contact Interpack by fax.

FAX 800-462-1293

Technical support may also be contacted via email at the address below:

EMAIL Machsupp@itape.com

Replacement Parts

Order parts by part number, item's description and quantity required. Replacement parts are available from your Authorized Interpack Distributor exclusively.

Should you require assistance selecting the correct part, you may call:

Intertape Polymer Group
Interpack Machinery

Tel: 1-800-474-8273 Option 3
Fax: 1-800-462-1293

MODEL: _____

SERIAL NUMBER: _____

DISTRIBUTOR PURCHASED FROM: _____

DATE OF PURCHASE: _____

WARRANTY

EQUIPMENT WARRANTY AND LIMITED REMEDY: The following warranty is made in lieu of all other warranties, express or implied, including, but not limited to, the implied warranty of merchantability, the implied warranty of fitness for a particular purpose, and any implied warranty arising out of a course of dealing, a custom or usage of trade:

Intertape sells its Interpack Tape Heads, Case Tapers and Case Erectors with the following warranties:

1. The HSD® 2000 Tape Heads' knife blades, springs and wipe down rollers will be free from all defects for a period of ninety (90) days.
2. All other HSD® 2000 Tape Head parts will be free from all defects for one (1) year after delivery.
3. Water Activated Tapers' blades and brushes will be free from defects for ninety (90) days after delivery
4. Drive Belts will be free from defects for ninety (90) days after delivery
5. The Gear Motors will be free from defects for one (1) year after delivery.
6. All other components for Case Tapers and Case Erectors will be free from defects for one (1) year after delivery.

If any part is proven defective within its warranty period, then the exclusive remedy and Intertape's and the seller's sole obligation shall be, at Intertape's option, to repair or replace the part, provided the defective part is returned immediately to Intertape's factory or an authorized service station designated by Intertape.

A part will be presumed to have become defective after its warranty period unless the part is received or Intertape is notified of the problem no later than five (5) calendar days after the warranty period.

If Intertape is unable to repair or replace the part within a reasonable time, then Intertape, at its option, will replace the equipment or refund the purchase price. Intertape shall have no obligation to install the repaired or replacement part.

Intertape shall have no obligation to provide or pay for the labor required to install the repaired or replacement part. Intertape shall have no obligation to repair or replace (1) those parts failing due to: operator misuse, carelessness, or due to any accidental cause other than equipment failure, or (2) parts

1. Failure or damage is due to misapplication, lack of proper maintenance, abuse, improper installation or abnormal conditions such as temperature, moisture, dirt or corrosive matter, etc.
2. Failure due to inadequate cleaning, improper operating environment, improper utilities or operator error.
3. Failure due to operations above the rated capacities, or in any other improper manner, either intentional or otherwise.
4. Failure is due to equipment, which has been altered by anyone other than an authorized representative of Intertape Polymer Group.
5. Failure is due to an attempt by the purchaser to correct alleged defective equipment. In this event the purchaser is responsible for all expenses incurred.

LIMITATION OF LIABILITY: Intertape and seller shall not be liable for direct, indirect, special, incidental or consequential damages based upon breach of warranty, breach of contract, negligence, strict liability or any other legal theory.

The foregoing Equipment Warranty and Limited Remedy and Limitation of Liability may be changed only by written agreement signed by authorized officers of Intertape and seller.

DESCRIPTION OF TAPE HEAD

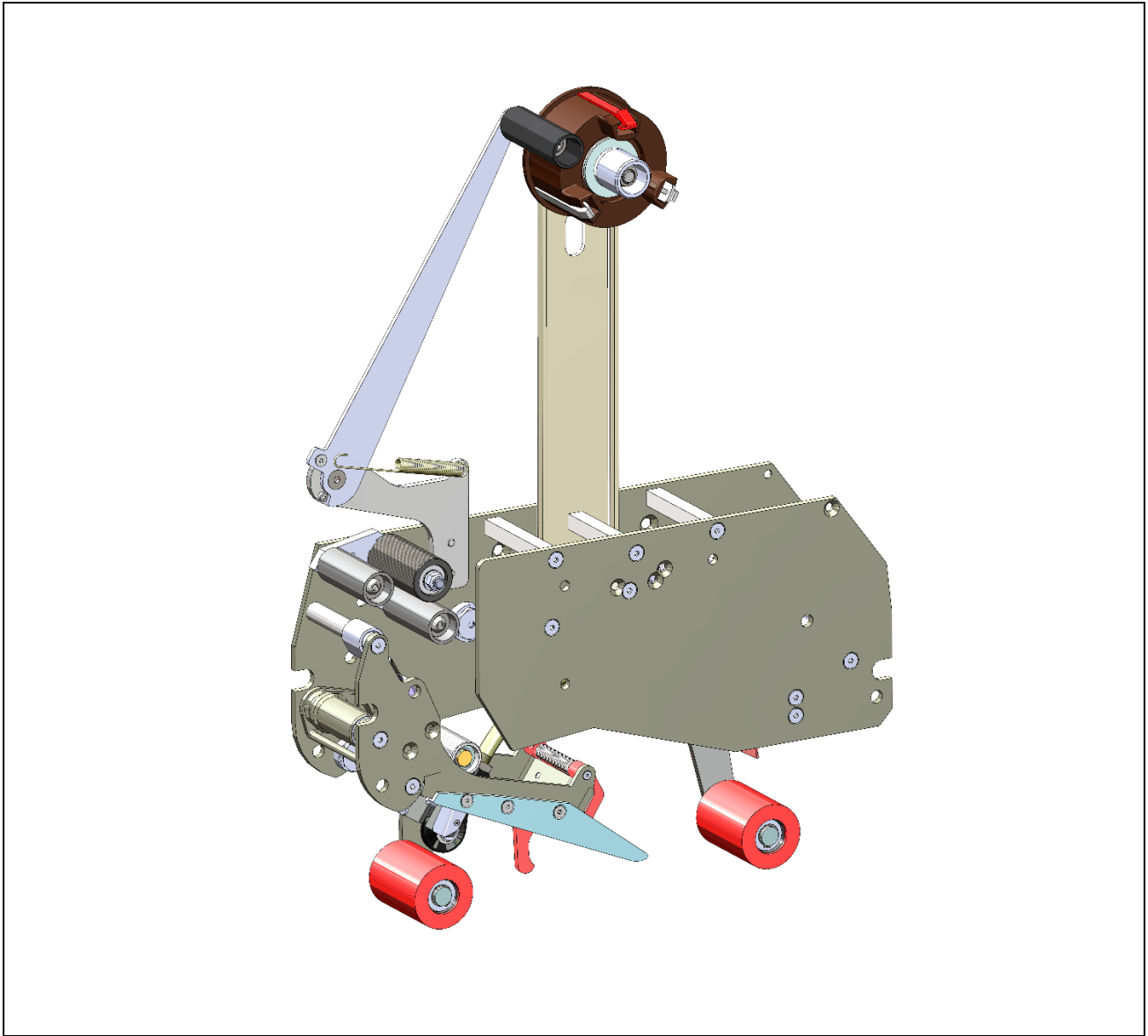


Figure 4-1

The Intertape HSD 2000-ET II Family of Tape Heads are designed to apply Intertape brand pressure sensitive carton sealing tape to the top and bottom center seam of regular slotted corrugated cartons.

The HSD 2000-ET II Mirror is designed to upgrade most competitive case sealers. Interpack can provide a variety of adapter kits to install this tape head into most case sealers.

SAFETY ISSUES

There are two safety labels used on all Interpack Tape Heads. This label is placed on the Tape Head knife guard to warn operators and service personnel of the sharp cutting edge of the blade. Please read the label and the following safety precautions before using the Tape Head.

- ✓ **Read this manual for other important safety operating and service information.**
- ✓ **Only trained personnel are to operate and service Tape Head.**
- ✓ **Wear safety glasses.**
- ✓ **Shut off power to machine before adjusting.**
- ✓ **Unplug electrical power before servicing.**
- ✓ **All covers and guards must be in place before operating.**
- ✓ **Stay clear of moving parts which can shear and cut.**
- ✓ **Never operate the Tape Heads with the Knife Guard removed.**
- ✓ **Turn electrical supply off before servicing the Tape Heads, including tape loading and threading.**

Note: Should any of the safety labels placed on the Tape Head be damaged or destroyed, replacements are available.

SAFETY ISSUES

The illustrated label shown in **Figure 5-1** is attached to the Knife Guard. The label warns operators and service personnel of the very sharp blade. The guard shall only be removed when the torsion spring or the guard itself is being replaced.

Should the tape head be operated without blade guard, user voids all warranty implied, the manufacturer bears no responsibility for the consequences.

Tape head shall never be serviced while mounted in a machine.



Figure 5-1

Label on Figure 5-2 is visible on carton sealing machine.



Figure 5-2

While the tape head is processing cartons, or it is in motion, keep your hands away. (Figure 5-3).



Figure 5-3

SAFETY ISSUES

The illustrated label shown in **Figure 5-4** is attached to the operator side plate of each tape head. The label provides operators and service personnel the proper method of threading a new roll of tape through the tape head.

More detailed information is provided in the "Set Up Procedures" portion of this manual.

Turn air and electrical supplies off before servicing the tape heads.

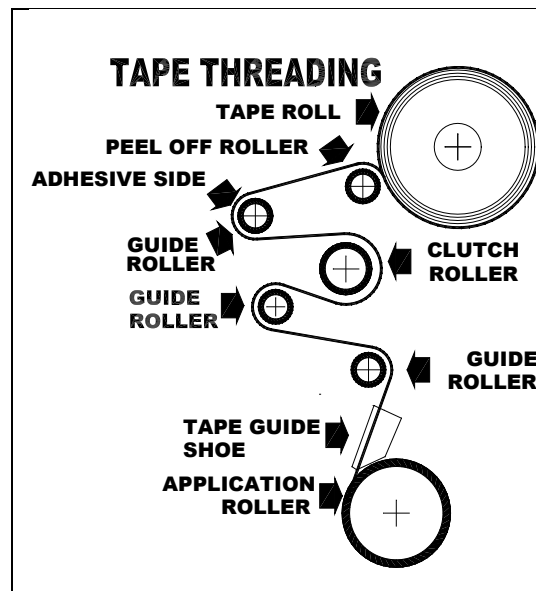


Figure 5-4

SPECIFICATIONS

Tape Head Dimensions

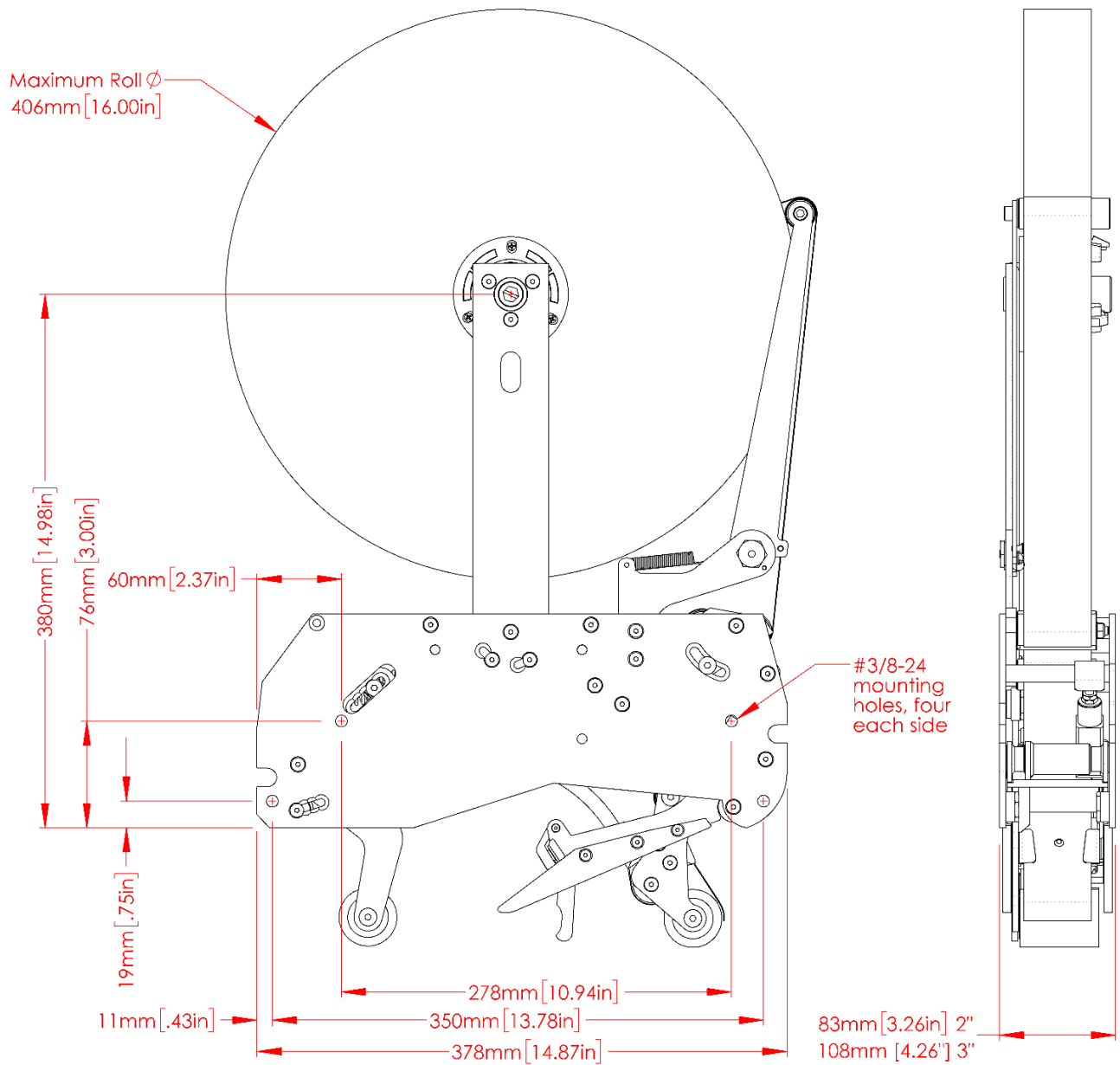


Figure 6-1

SPECIFICATIONS

Tape Head Components

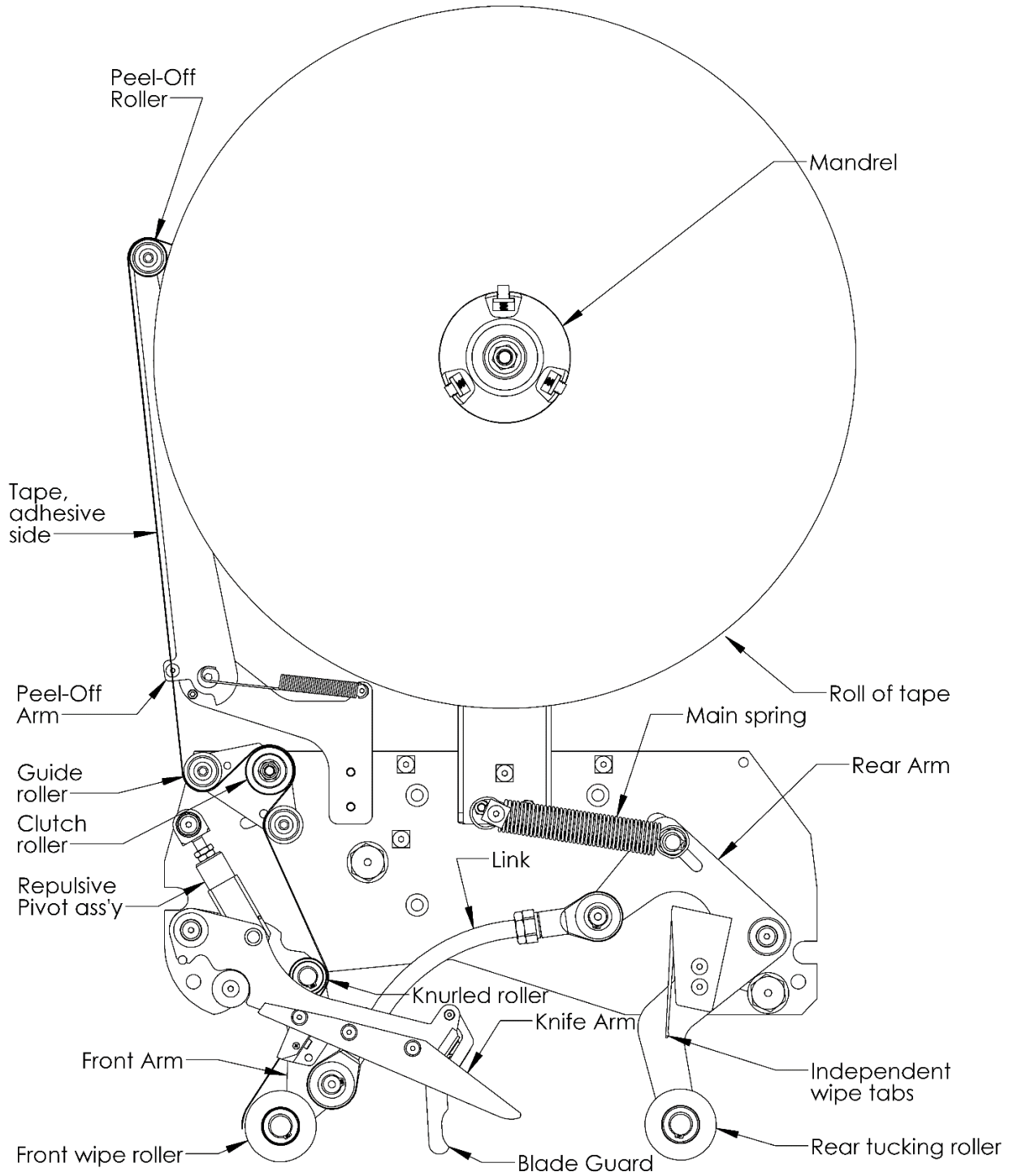


Figure 6-2

SPECIFICATIONS

Operating Conditions

Use in a dry, relatively clean environment at 40° to 105° F (5° to 40° C) with clean, dry cartons.

Note:

The HSD 2000-ET II Mirror Tape Head should never be washed down or subjected to conditions causing condensation on components. HSD 2000-ET II SS Stainless Steel tape heads provide protection against mild detergent wash down only. Do not subject Stainless Steel tape heads to ANY harsh detergent or solvent wash down. The warrantee will be voided as a result.

Tape Head Specifications

1) General

Use Intertape brand Pressure Sensitive Carton Sealing Tape.

2) Tape Width

For HSD 2000-ET II 2" (48mm) models

1 ½ to 2 inch wide tape (36 to 48 mm)

For HSD 2000-ET II 3" (72mm) models

2 ½ to 3 inch wide tape (60 to 72mm)

3) Tape Roll Diameter

Maximum of 16 inches (405 mm) on a 3-inch (76.86 mm) diameter core.
(Accommodates all Intertape brand film tape machine roll lengths)

4) Tape Application Leg Length – Standard

2 ¼ inches (+0.25", -0")

57.15 mm, (+6.3 mm, -0 mm)

5) Tape Application Leg Length – Optional

The tape leg length can be adjusted from:

1 ¾ to 2 ½ inches

45 mm to 63 mm

6) Tape Head Weight

The Tape Head weighs 21 lbs. (9.5 kg.) packaged.

7) Operating Speed

For use with line speeds up to 90 ft. /min maximum.

PLEASE NOTE: A stronger main spring may be necessary to process cases at 90 ft/ min. Void filled cases should not be processed with the stronger main spring

SPECIFICATIONS

Installation Of HSD2000-ET II Mirror In Other Machinery

This tape head can be used to upgrade case sealers provided by other manufacturers. It can be mounted in the upper or lower positions. It can also be mounted horizontally. Please contact the factory for the proper mounting adapters, any possible mirror image footprint requirements and any limitations when upgrading competitor machinery.

- 1) The case must be positively propelled through the case sealer taking into account any void fills, overfills, stability factors or weight factors.
- 2) Verify the case sizes which will be processed through the case sealer. Installing Interpack HSD 2000-ET II tape heads to process very short cases may cause the tape heads to collide with each other.
- 3) If a flight bar or lug drive system propels the case, be sure that these devices provide proper clearance and do not contact any portion of the tape head
- 4) Verify that the proper adapter kits have been ordered and supplied with the tape head.

SET-UP PROCEDURES

Receiving and Handling

All contents must be verified upon reception. The following items are included with each tape head.

DESCRIPTION	UH 279TW 2"	UH 779TW 3"
Main Tape Head assembly	1	1
SHCS M6 x 8 (part no. UF0810)	4	4
Mounting adaptors (part no. UPH3880)	4	4
Mounting adaptors (part no. UPH3882)	4	-
Mounting adaptors (part no. UPH0864)	4	4
Mounting adaptors (part no. UPH0282)	4	-
Main spring (part no. UPH1090)	1	1
Main spring (part no. UPH0910)	1	1
Knife arm spring (part no. UPH4665)	1	1
Operational manual & parts list	1	1

Note: *After unpacking the Tape Head, look for any damage that may have occurred during shipping. Should the Tape Head be damaged, file a claim with the transport company and notify your Intertape representative.*

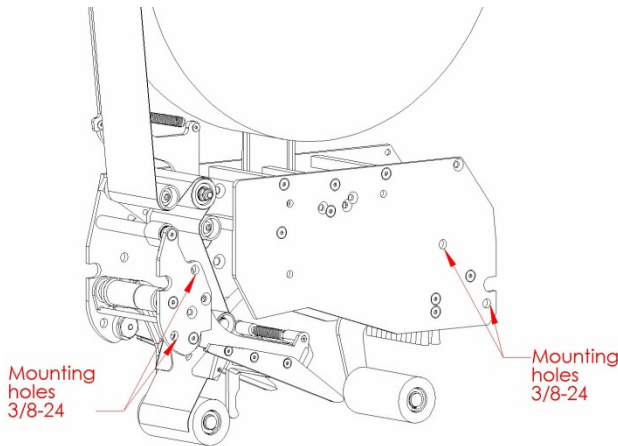
SET-UP PROCEDURES

WARNING! *TURN OFF ELECTRICAL POWER SUPPLY AND DISCONNECT THE POWER CORD FROM THE ELECTRICAL SUPPLY BEFORE BEGINNING TO WORK ON THE TAPE HEADS OR TO LOAD TAPE. IF POWER CORDS ARE NOT DISCONNECTED, SEVERE INJURY TO PERSONNEL COULD RESULT.*

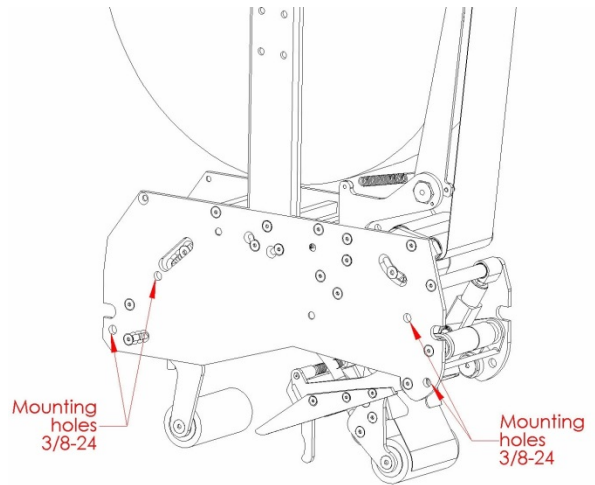
Mounting Adapters

HSD 2000-ET II Tape Heads require **Mounting Adapter Hardware** to install in any case sealer or case erector. If your Tape Heads are pre-installed in your Interpack or TUFFlex case sealer or case erector, you do not need to follow any instructions from this section. If your tape heads will be installed in any other machinery, please review these general guidelines plus any additional instructions included with your ET 2Plus mirror tape head.

Location Of Mounting Adapter Holes



**Front Cover
Figure 7-1**



**Rear Cover
Figure 7-2**

Examples Of Mounting Hardware

There are numerous mounting holes on the front and rear side plates of the tape head. These are used to install various mounting adaptors. Examples of these mounting adaptors are:

1. Internal and external threaded nuts
2. Mounting Bars
3. Threaded Spacers

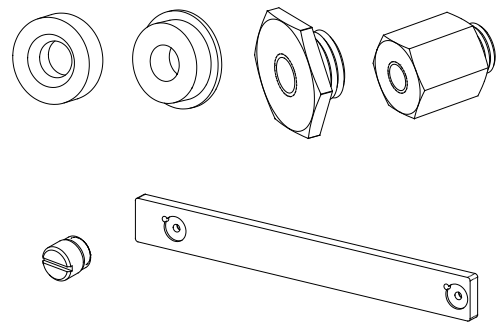


Figure 7-3

SET-UP PROCEDURES

Tape Loading

The HSD 2000-ET II Mirror Tape Heads accommodate 2-inch (48mm) wide tape rolls, while the HSD 2000-ET II Mirror/3" Tape Heads accommodate 3-inch (72mm) wide rolls.

1. Place the tape head onto a sturdy, flat surface.
2. Move the peel off roller away from the mandrel.
3. Push the roll of tape onto the mandrel with the adhesive side up (refer to **Threading Diagram** under Tape Threading section in this manual) until the core sits against the mandrel flange. This ensures that the tape will be aligned when feeding into the tape head.
4. Replace the peel roller against the tape roll.

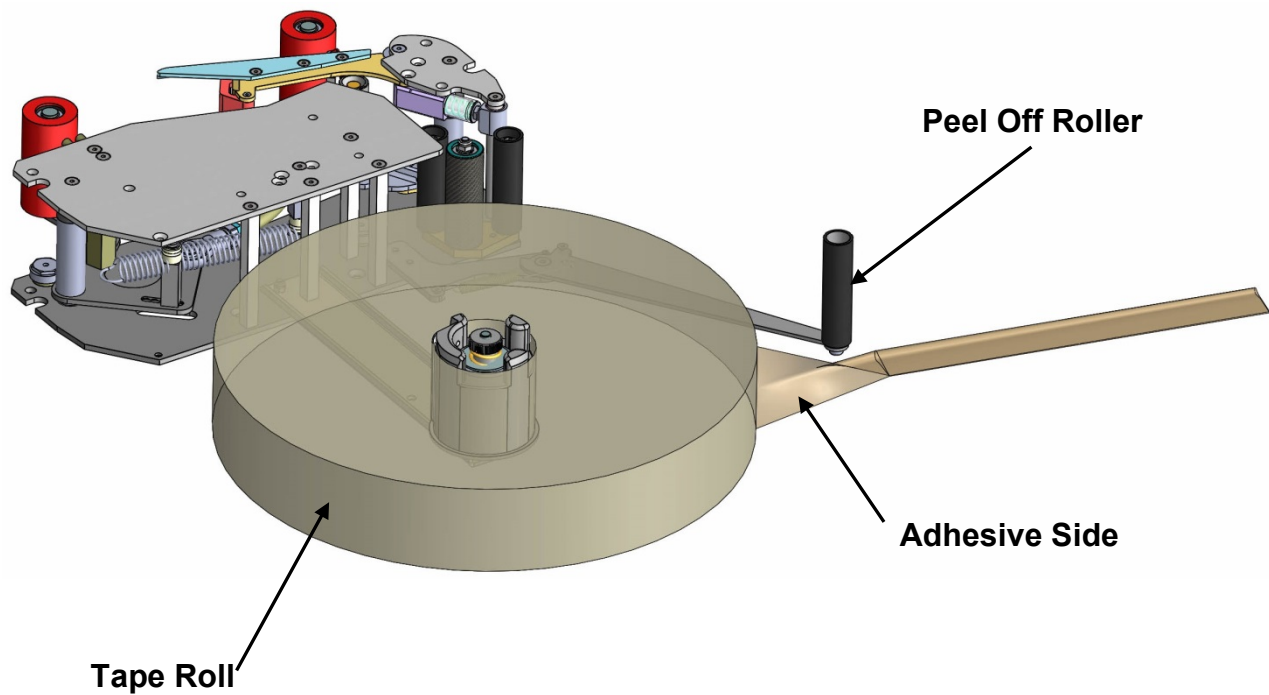


Figure 7-4

SET-UP PROCEDURES

WARNING! THE KNIFE CONTAINED IN THE TAPE HEAD IS EXTREMELY SHARP. USE CAUTION WHEN REMOVING THE BLADE GUARD AND THREADING THE TAPE TO AVOID PERSONAL INJURY.

Tape Threading Preparation

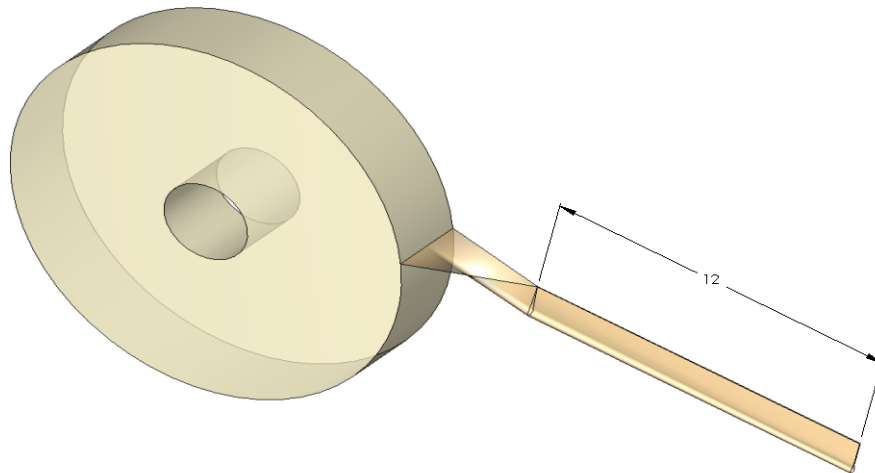


Figure 7-5

Threading the tape in the Tape Head does not require any special tools.

1. Pull approximately twelve (12) inches of tape from the roll and fold in half lengthwise, adhesive side to adhesive side. This allows you to thread the tape without it adhering to the guide and clutch rollers inside the Tape Head.

SET-UP PROCEDURES

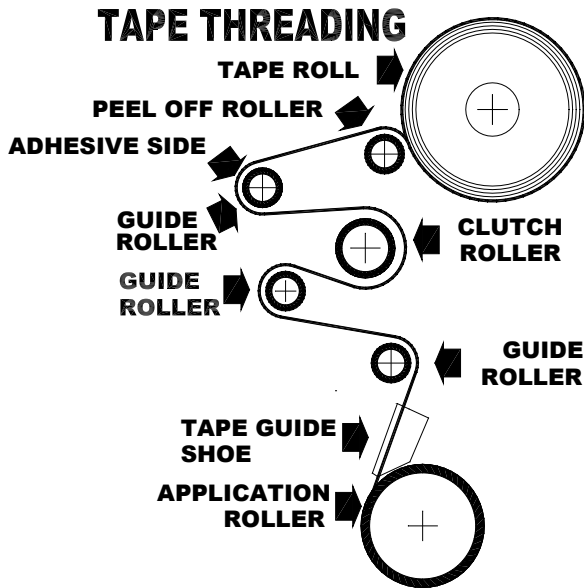


Figure 7-6

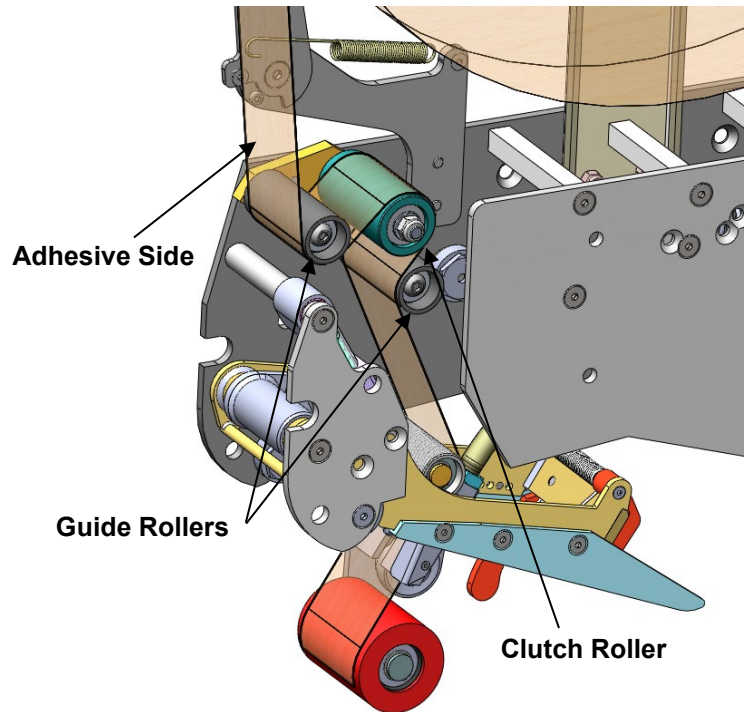


Figure 7-7

1. As illustrated in **Figures 7-6 & 7-7**, first thread the tape tail over the **Peel Off Roller**.
2. Thread the tape over and around the first "smooth" **Guide Roller**.
3. Continue to thread the tape over and around the knurled **Clutch Roller**.
4. Then pass the tape up and over the second "smooth" **Guide Roller**.
5. Continue threading the tape over and behind the final "knurled" **Guide Roller**.
6. Thread the tape through the cut-out provided in the **Tape Guide Shoe** and pull the tape through the front **Application Roller**, ensuring that the tape is retained in the tape guide shoe.
7. Cut off the folded tape.
8. Place the Tape Head to its initial position in the machine.

SET-UP PROCEDURES

Tape Centring

If the tape is not centered as it travels through the tape shoe guide, the tape mandrel can be adjusted in or out to correct this.

Loosen the M18 hex socket plug on the rear of the mandrel as shown in **Figure 7-8** with a 10 mm allen key.

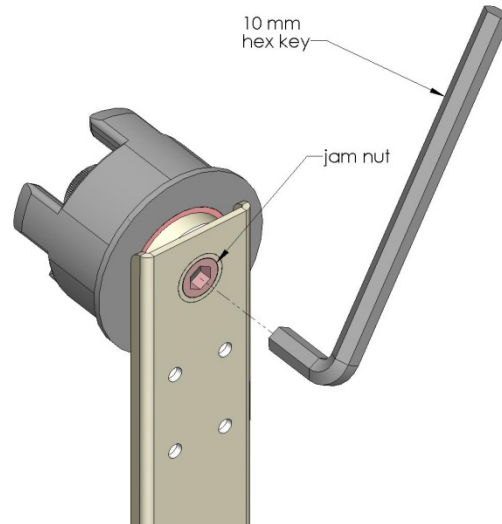


Figure 7-8

Adjust the shaft in or out as required using a flat screwdriver as illustrated in **Figure 7-9**. One full turn with the screwdriver will displace the mandrel by 1 mm. When the tape is centered, tighten the hex socket plug. .

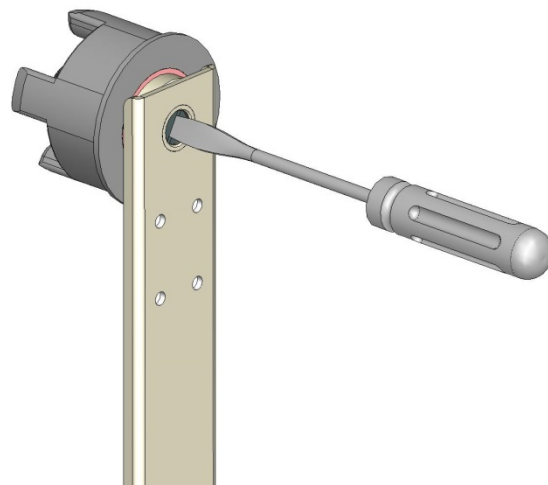


Figure 7-9

SET-UP PROCEDURES

Tape Leg Length Adjustment

For optimum performance, the tape leg length has been factory set at 2 inches (50 mm). However, the tape leg length can be modified.

Front Tape Leg

To adjust the tape leg length on the leading end of the box, refer to **Figure 7-12** of the clutch assembly. Facing the rear main frame, loosen the two (2) Flat Head Cap Screws using a 3 & 4 mm hexagonal key. Rotate the clutch assembly to bring the lowers screw towards the minus (-) sign stamped on the rear plate for a shorter tape leg. Conversely, bring the bottom screw towards the plus (+) sign for a longer tape leg. Re-tighten both Flat Head Cap Screws.

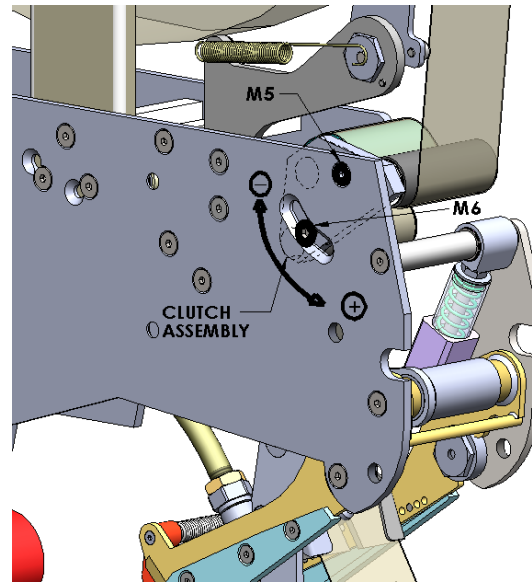


Figure 7-10

Rear Tape Leg

To adjust the tape leg length on the trailing end of the box, both chrome knife arm extension brackets must be re-positioned. Unscrew the three (3) Flat Head Cap Screws on each knife arm extension using a 2.5 mm hexagonal key. For a Shorter Tape Leg, bring the knife arm towards the front of the tape head. Conversely, for a Longer Tape Leg, bring the knife arm towards the rear of the tape head. Replace the three (3) screws on each knife arm extension and tighten.

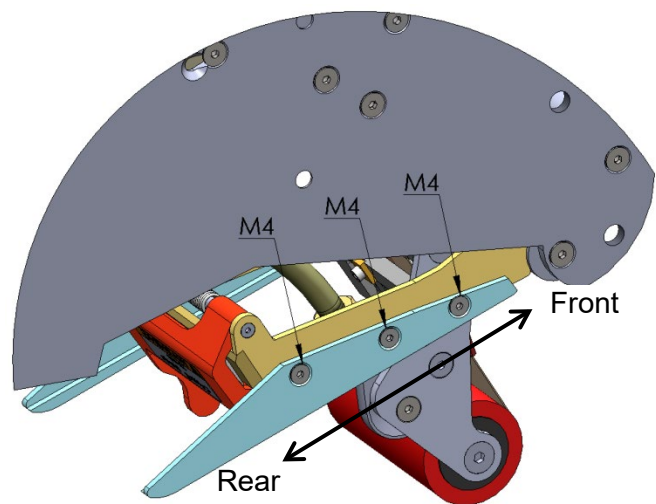


Figure 7-11

SET-UP PROCEDURES

One Way Clutched Roller Adjustment

This one direction, tensionable roller assures that proper tension is present when cutting the tape. It is preset at the factory, but should re-adjustment be necessary, follow these steps.

1. If the tension is too high, one may get shorter tape legs than expected. The blade should cut, but it may snap back at the rear of the box. In this case the friction nut needs to be loosened. Typically, do less than 1/8th of a turn at a time and test the results.
2. Gradually, apply a very small amount of tension to the one way clutch roller until the tape is cleanly cut as the case processes.
3. Too much tension will cause the tape to wrinkle or snap back.
4. Too little tension will not cut the tape.

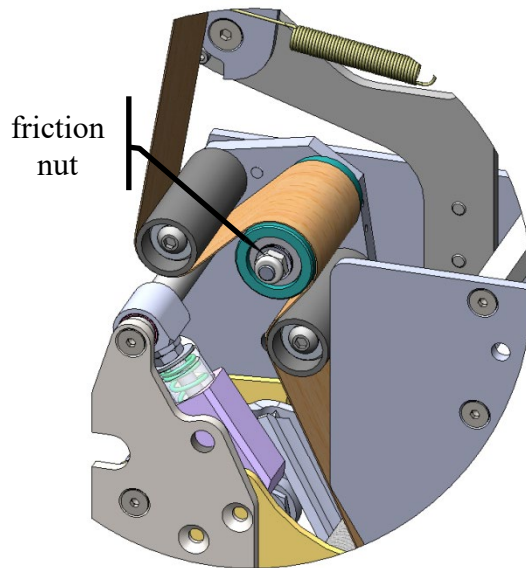


Figure 7-12

Main Spring Adjustment

The main spring tension is set at the factory. This setting should be optimal for most applications. Environments where a different setting is desirable would be:

1. Void filled cases would need a lighter wipe down pressure.
2. Overfilled cases might require additional wipe down pressure.
3. Double wall corrugated might need additional wipe down pressure to overcome the memory of the major flaps.
4. Thinner walled corrugated cases might require less wipe down pressure.
5. Faster line speeds would need additional spring tension to provide a quicker wipe down of the rear tape leg.

Should the need arise to increase or decrease the wipe down pressure, follow these steps:

1. Remove main spring (**Item #1**).
2. Loosen the flathead countersink screw (**Item # 2**).
3. Move further away from pivot axis point to increase the torque, conversely closer to the axis to decrease the torque on the rear arm.

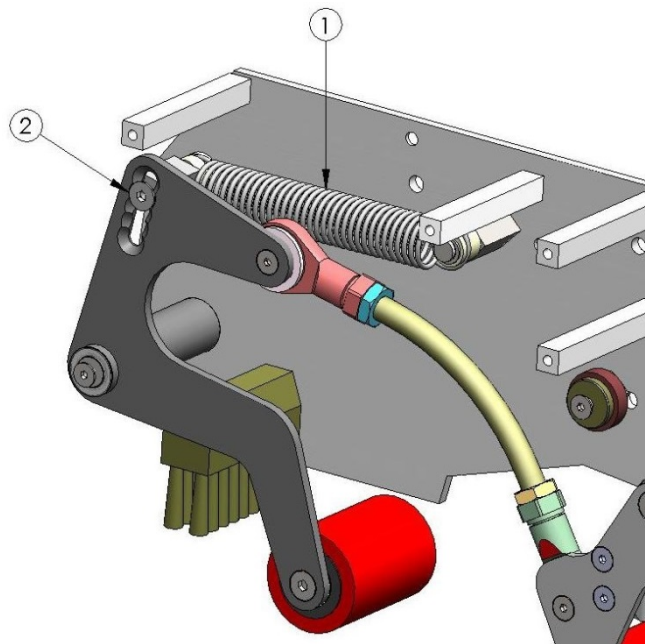


Figure 7-13

SET-UP PROCEDURES

Mandrel Tension Adjustment

Mandrel tension has been set in the factory to ideal very little resistance. This is a divergence from the traditional mandrels of other manufacturers. Under normal circumstances the mandrel shall over spin after the tape had been cut 2" or up to a quarter turn. It is possible that under very cold or warm temperatures the tension becomes too tight or too loose. The tensioning nylon lock nut is purposefully not easy to access, because operators should not tweak it. With a 13 mm nut driver however it is accessible. The peel off roller should reduce the over spin in most cases.

Do not increase mandrel tension to improve tape cutting. Slightly increase the one way clutched roller to improve cutting action

Changes in mandrel tension might be required for the following reasons:

1. Larger than 1000yd (914m) are used.
2. Tape head is installed on faster line speeds.
3. The tape roll continues to over spin more than $\frac{1}{4}$ turn after the case leaves the tape head.

Should a change in mandrel tension be required, follow these steps:

1. Observe the rotation of a full tape roll as a case proceeds.
2. If the tape roll continues to rotate more than $\frac{1}{4}$ turn after the case leaves the tape head, increase the M8 nylon lock nut's squeeze slightly until only a small amount of over rotation is experienced.
3. Should the tape roll rotate very little or not at all after the case leaves the tape head, turn the M8 nylon lock nut counterclockwise a miniscule degree - to the point that a small amount of over spin occurs.

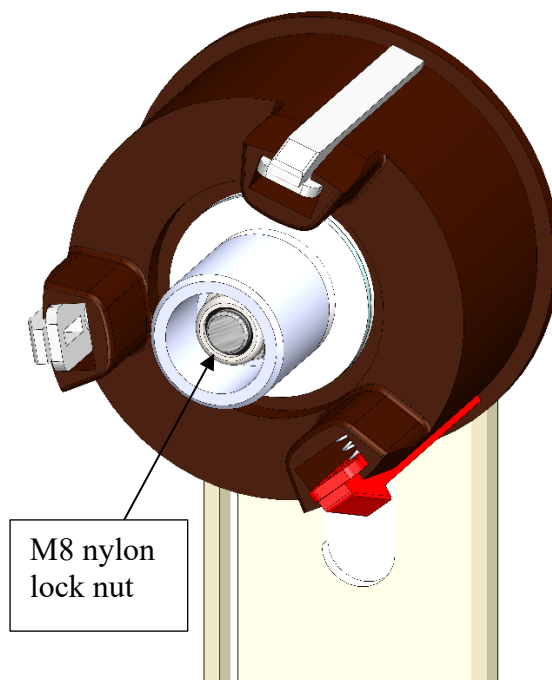


Figure 7-14

TROUBLESHOOTING

ET 2Plus Mirror Tape Heads are fabricated with high quality components that provide trouble-free operation for a long period of time. However, should a problem occur, we recommend that you consult the following table. If the problem you encounter is not discussed in this table, call Interpack Technical Support. (See page 4 of this document).

TROUBLE	POSSIBLE CAUSES	SOLUTIONS
Tape does not cut cleanly.	Blade needs to be replaced. Knife spring too weak or broken One way clutched roller needs adjusting	Replace blade. Refer to preventive maintenance section for details Replace knife spring. Refer to preventive maintenance section for details Slightly increase the tension on the one way clutched roller
Tape Leg <u>in the tape head</u> folds up on itself	Strong air circulation (fan) is in the vicinity Spring loaded tape leg stiffener is out of position	Redirect airflow away from the tape head Gently bend forward to provide a curve in the tape leg
Back tape leg does not fit tight on the box. (ripple effect)	Main spring is not strong enough Tape applying tension is too great	Change for the stronger main spring. (Part no. UPH3817) Re-set tension on the mandrel and one way clutched roller

TROUBLESHOOTING, CONTINUED

TROUBLE	POSSIBLE CAUSES	SOLUTIONS
<p>“Tape Tabbing” or folding on itself on the trailing tape leg</p>	<p>Generally, too much tension on the application of the tape. Follow steps below</p> <p>Applying urethane rollers, delrin guide rollers, knurled metal rollers should spin freely. Check for any adhesive migration or build up</p> <p>Too much mandrel tension</p> <p>Mandrel does not spin freely even after tension is reduced</p> <p>Too much one way clutch roller tension</p> <p>Tape unwind is difficult</p> <p>Cutter blade is dull</p>	<p>Remove any adhesive build up with silicon spray. Disassemble any non-free spinning rollers and remove any adhesive build up on shafts.</p> <p>Re-set mandrel tension</p> <p>Disassemble mandrel assembly and check for any dust or adhesive build up</p> <p>Re-set clutch roller tension</p> <p>Rethread tape through the clutch roller assembly eliminating the upper roller</p> <p>Replace blade</p>
<p>Front tape leg too short</p>	<p>Generally, too much tension on the application of the tape</p> <p>Tape threaded incorrectly</p> <p>Tape leg length misadjusted</p>	<p>Follow corrective action in “Tape Flagging” section above</p> <p>Check for proper tape threading against threading diagram on side plate of tape head</p> <p>Re-set front tape leg length</p>

TROUBLESHOOTING, CONTINUED

TROUBLE	POSSIBLE CAUSES	SOLUTIONS
Front tape leg too long	Tape threaded incorrectly	Check for proper tape threading against threading diagram on side plate of tape head
	Tape leg length misadjusted	Re-set front tape leg length
Rear tape leg too short	Generally, too much tension on the application of the tape	Follow corrective action in “ Tape Flagging ” section above
	Tape threaded incorrectly	Check for proper tape threading against threading diagram on side plate of tape head
	Tape leg length misadjusted	Re-set front tape leg length
Rear tape leg too long	Tape threaded incorrectly	Check for proper tape threading against threading diagram on side plate of tape head
	Tape leg length misadjusted	Re-set front tape leg length
Tape not centered on the center seam of the case	Tape Head mandrel not centered	Readjust mandrel so tape is centered on the case

RECOMMENDED SPARE PARTS LIST

We recommend that you stock the following spare parts. These parts are contained in the “spare parts kit” indicated below. The components of the spare parts kits are also referenced should individual components need to be ordered.

ET 2Plus 2” Wide Spare Parts Kit UH1013

Parts Contained in UH 1002 Spare Parts Kit			
MODEL NUMBER	DESCRIPTION	ITEM NUMBER	QUANTITY
	SS Cut-Off Blade 48mm NC	UPH0193	1
	Roller Shell ETM	UPH0775	2
	SS Ext. Spring	UPH0910	1
	SS Main Spring ETM .080	UPM1091	1
	Independent multi wipers	UPH4894	1
	Comp. Spring	UPH4665	1
	Torsion Spring SS	UPH9195	1

RECOMMENDED SPARE PARTS LIST

ET 2Plus Mirror 3" Wide Spare Parts Kit UH 1014

Parts Contained in UH 1003 Spare Parts Kit			
MODEL NUMBER	DESCRIPTION	ITEM NUMBER	QUANTITY
	SS Cut-Off Blade 75mm NC	UPH0271	1
	SS Ext. Spring	UPH0910	1
	Roller shell ETM 3"	UPH0966	2
	SS Main Spring ETM.080	UPH1091	1
	Independent multi wipers	UPH4895	1
	Compression Spring	UPH4665	1
	SS Torsion Spring	UPH9195	1

PREVENTIVE MAINTENANCE

WARNING! TURN OFF ELECTRICAL POWER SUPPLY AND DISCONNECT THE POWER CORD FROM THE ELECTRICAL SUPPLY BEFORE BEGINNING TO WORK ON THE TAPE HEADS OR TO LOAD TAPE. IF POWER CORDS ARE NOT DISCONNECTED, SEVERE INJURY TO PERSONNEL COULD RESULT.

The ET 2Plus Mirror tape head has been designed and manufactured with the finest components to provide long, trouble free performance. General preventive maintenance will improve performance and prolong the life of the tape head.

Please review the illustration and chart below for information regarding tape head maintenance.

Knife Blade Replacement

The knife blade is made from hardened steel and should provide a minimum of 250,000 cycles before replacement.

The cut-off blade is locked in position with two (2) M5 Button Head Cap Screws. To replace the cut-off blade:

1. Loosen both screws with a 3 mm hexagonal key. Do not remove the screws
2. Remove the blade by sliding out.
3. Insert the new blade with the bevel facing away from the front wipe down roller
4. Ensure the blade bottoms against the screws and tighten securely

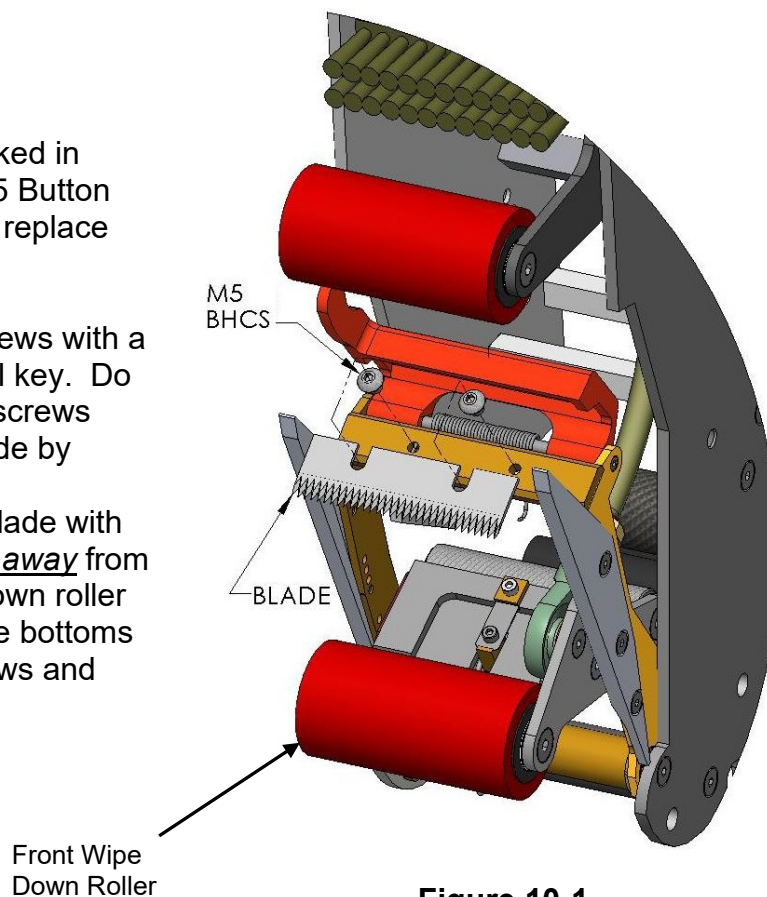


Figure 10-1

PREVENTIVE MAINTENANCE

Lubrication

The HSD 2000-ET II Mirror tape heads ship from the factory permanently lubricated. No additional lubrication is necessary, however, a small amount of lightweight oil applied to rotating and pivot points will extend the life of the tape head and assure maximum performance.

There is, however a felt pad on the blade guard which can serve as an oiler pad to help clean the blade should adhesive accumulate. At regular intervals, depending on usage, add a small amount of mineral oil or silicon spray so that when a case is processed, the oil from the pad is transferred to the blade as the knife guard is opened and closed.

Oiler Pad Lubrication

WARNING: USE CAUTION WHEN OILING THIS PAD AS THE CUTTER BLADE IS VERY SHARP

1. Retract the blade guard using the extension tab as a handle
2. Remove any debris or accumulated adhesive build up
3. Apply a 5-10 drops of mineral oil or silicon lubricant to the pad.
4. Carefully release the blade guard against the blade

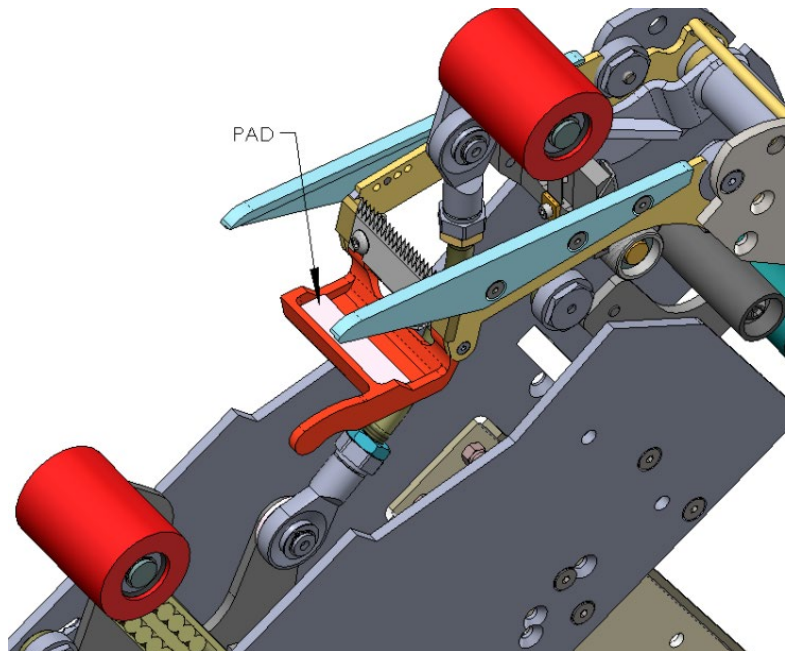


Figure 10-2

PREVENTIVE MAINTENANCE

Urethane Wipe Down Roller Replacement

These red rollers are wear items and should be inspected regularly and replaced if necessary.

Front & Rear Wipe Down Roller Replacement

Removing The Urethane Roller

1. Using a snap ring pliers, remove the snap ring from the roller shaft.
2. Remove the flat washer and spring washer.
3. Remove the front applying roller and hub
4. With a sharp utility knife, cut away the red urethane roller from its mounting hub

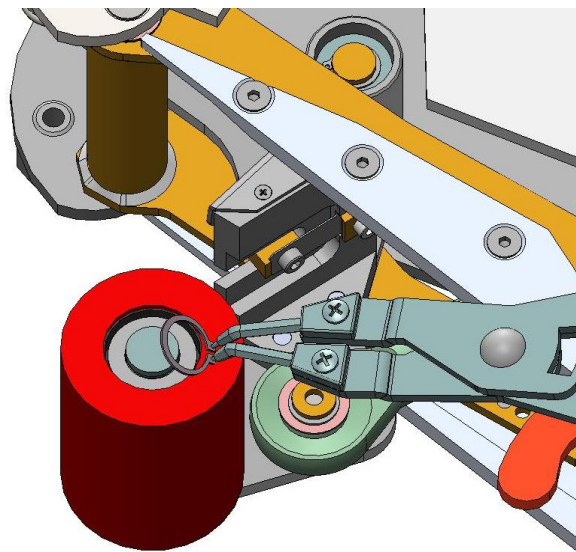


Figure 10-3

Installing The New Urethane Roller

1. Feed the new roller onto the end of the hub edge without the raised shoulder
2. Press the new roller all the way down to the end of the hub and against the raised shoulder
3. Reinstall the roller & hub onto the roller arm shaft with the raised shoulder away from you
4. Replace the spring washer and flat washer
5. Replace the snap ring
6. Refer to the assembly drawing found later in this manual for proper sequence of assembly

NOTE: If the roller is too difficult to slide onto the hub, use soap foam to make urethane tube more slippery.

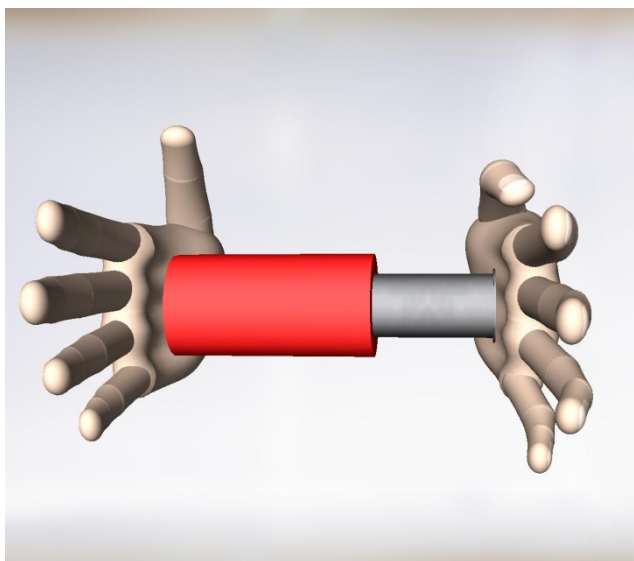


Figure 10-4

PREVENTIVE MAINTENANCE

Spring Replacements

There are 3 springs on the HSD 2000-ET II. These springs are wear items and should be inspected regularly and replaced if necessary. Below are instructions for replacing the two most common springs.

Main Spring Replacement

1. Using a pair of needle nose pliers, remove one end of the main spring from the retainer ring.
2. Take off the damaged spring.
3. Hook one end of the new spring over the retaining ring in the middle
4. Stretch the spring over rear arms spring retainer ring using either needle nose pliers or your finger. Hook the loop securely into the retainers groove.

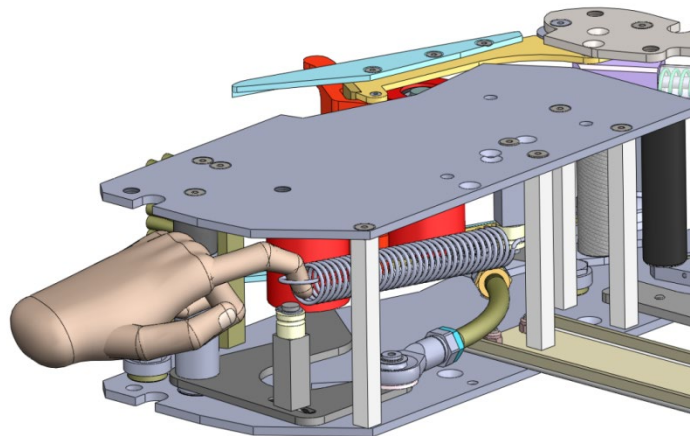


Figure 10-5

Knife Arm Spring Adjustment

Should the **Knife Arm Cutting Force** need to be adjusted, follow the procedure below.

1. To increase the force, using a 10mm open end wrench, turn the 6mm nut clockwise until desired pressure achieved. Lock into the new position with the second nut.
2. To decrease the force, using a 10mm open end wrench loosen lock nut first. Turn it counter clockwise. Follow up with the first nut counter clockwise as well, till it is locked into the new position.

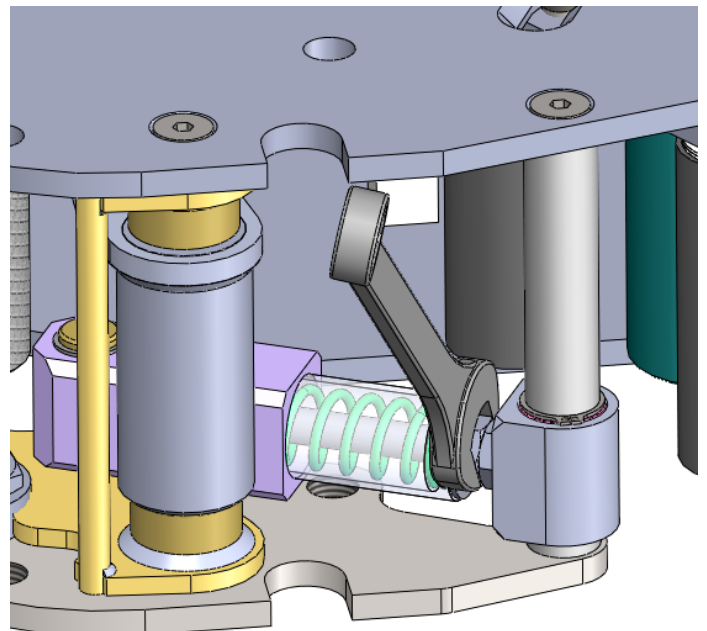


Figure 10-6

PREVENTIVE MAINTENANCE

Knife Arm Spring Replacement

If the compression spring breaks, the sequence to change it is as follows.

1. Carefully open the snap ring with a plier and slide it up on the cross shaft. Remove the snap ring attached to the knife arm assembly. (Wear safety glasses while working with retaining rings).

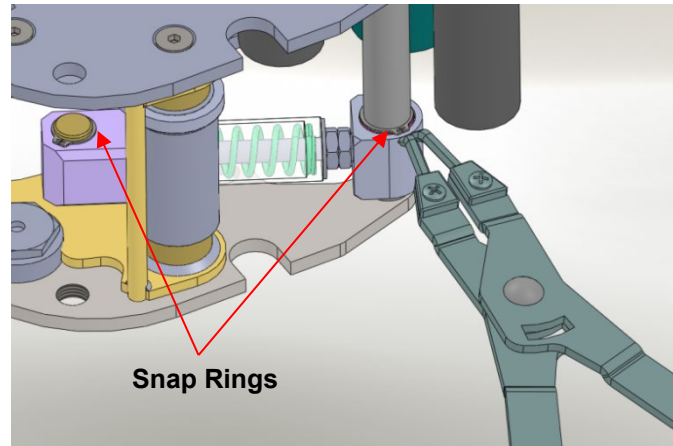


Figure 10-7

2. Slide off the repulsive pivot assembly from current position as shown in Figure 10-8.

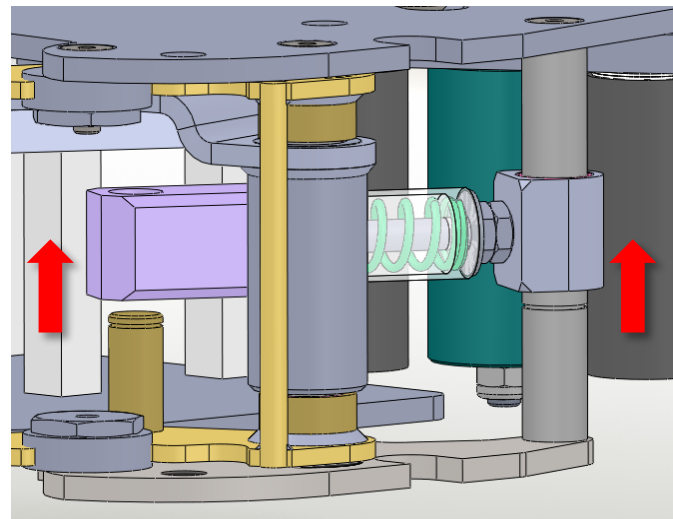


Figure 10-8

PREVENTIVE MAINTENANCE

3. Remove the spring barrel from overlapping position as shown in Figure 10-9. Remove any broken particle from the spring guide. Install new compression spring into the captive position.

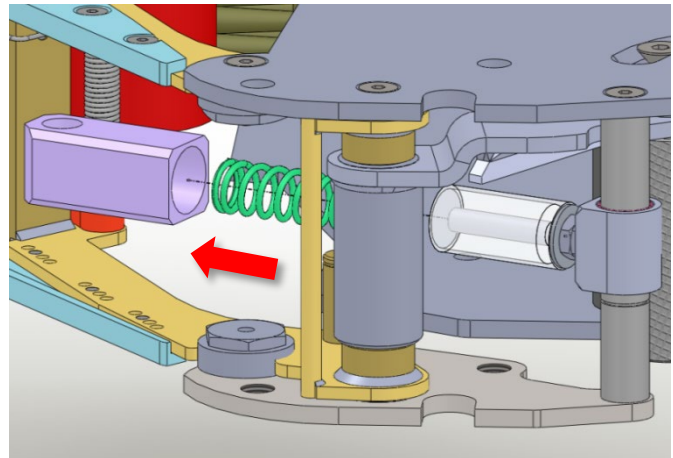


Figure 10-9

4. Press the spring barrel against the spring mandrel until it is ready to slide back on the short shaft. See Figure 10-10. Move the whole sub assembly back to its original position.

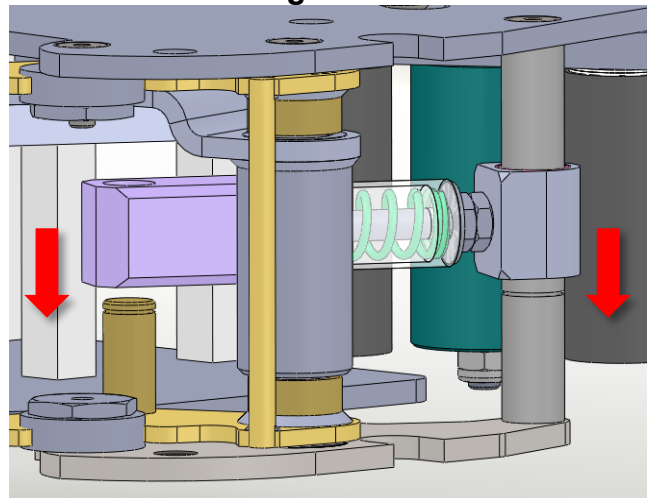


Figure 10-10

5. Reinsert retaining rings to their grooves. Should the 12 mm retaining ring brake (right one on Figure 10-11), the shaft needs to be freed to replace it. Calibrate spring pressure with the M6 nuts as described earlier.

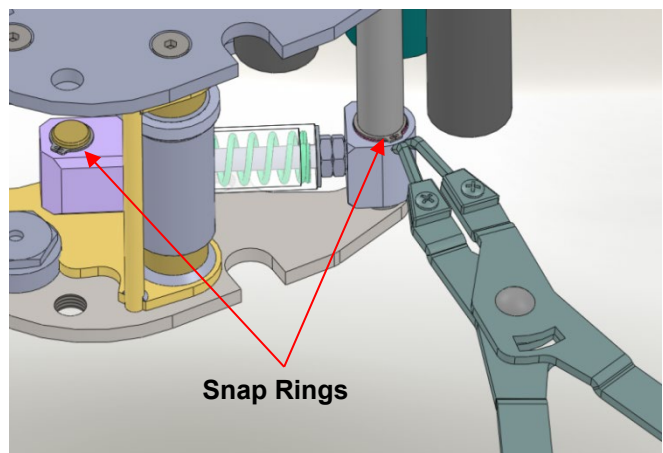


Figure 10-11

PREVENTIVE MAINTENANCE

Knife Guard Spring Replacement

As a precaution, remove the cutter blade to avoid injury

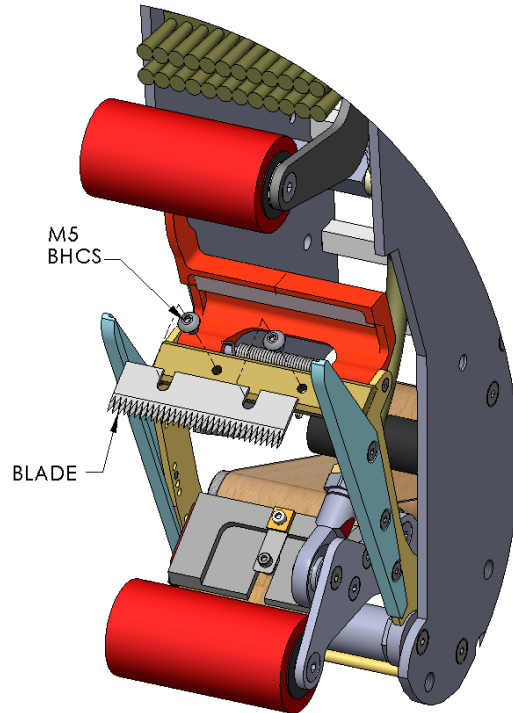


Figure 10-12

Remove the cross shaft

NOTE: These screws are secured with loctite and may require applied heat prior to removal

1. Using *two* 2mm hexagonal keys as shown, remove *one* of the flathead countersink screws by applying force on both hexagonal key in an attempt to remove each screw.
2. Once one of the screws breaks free, only continue to remove that screw.
3. Leave the remaining flathead countersink screw that did not yield attached to the cross shaft

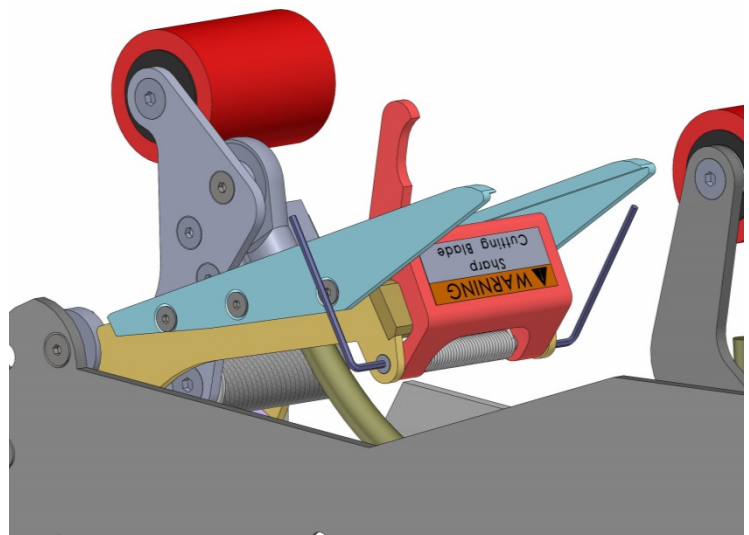


Figure 10-13

PREVENTIVE MAINTENANCE

Carefully slide out the shaft from the end of the shaft that contains the remaining flathead countersink screw

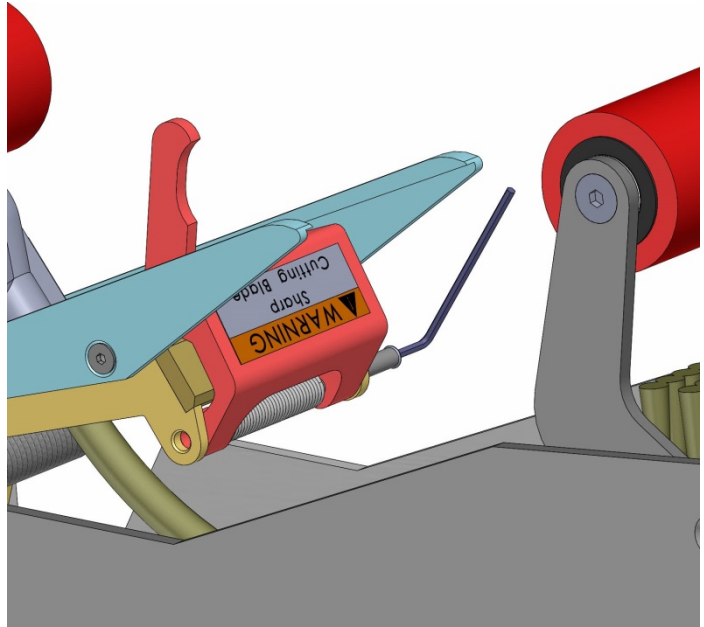


Figure 10-14

Remove the broken spring

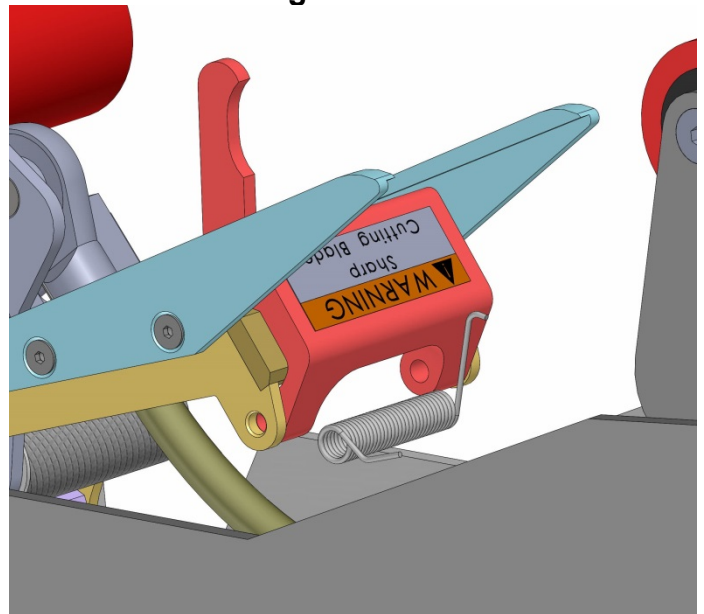


Figure 10-15

PREVENTIVE MAINTENANCE

To properly orient the new knife spring

1. Position the new knife spring as shown in **Figure 10-16**.
2. Note which leg of the spring should lie behind the cutter blade mounting plate.
3. Note which leg of the spring should wrap around the front of the knife guard

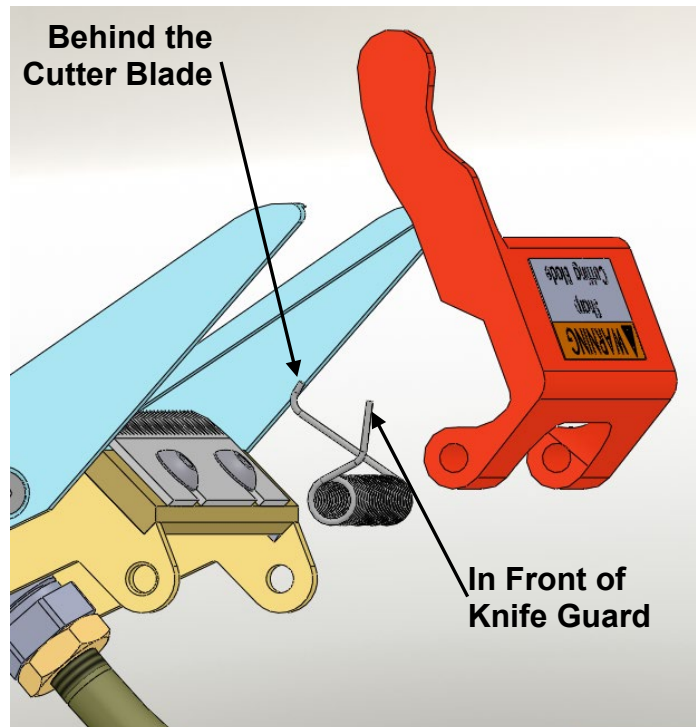


Figure 10-16

Insert the cross shaft through the knife arm, knife guard and knife guard spring as shown in **Figure 10-17**

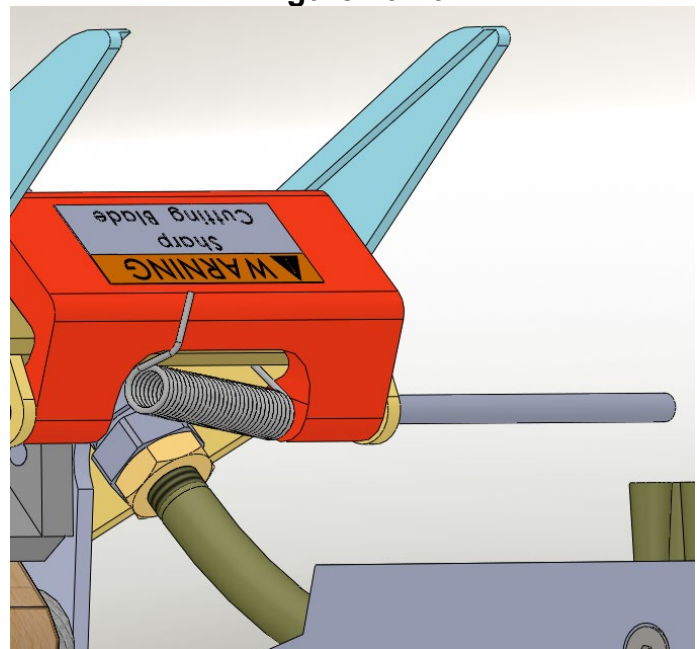


Figure 10-17

PREVENTIVE MAINTENANCE

To Complete the Installation

1. Apply some purple Loctite to the threads of the M3 screw and fasten to the end of the cross shaft. Tighten using two 2mm hexagonal keys as shown in **Figure 10-18**
2. Rotate the knife guard to make sure there is no binding.
3. Re-install the cutter blade as shown in **Figure 10-12**
4. Inspect the oiler pad to make sure it is securely fastened. Clean the pad and apply some mineral oil.

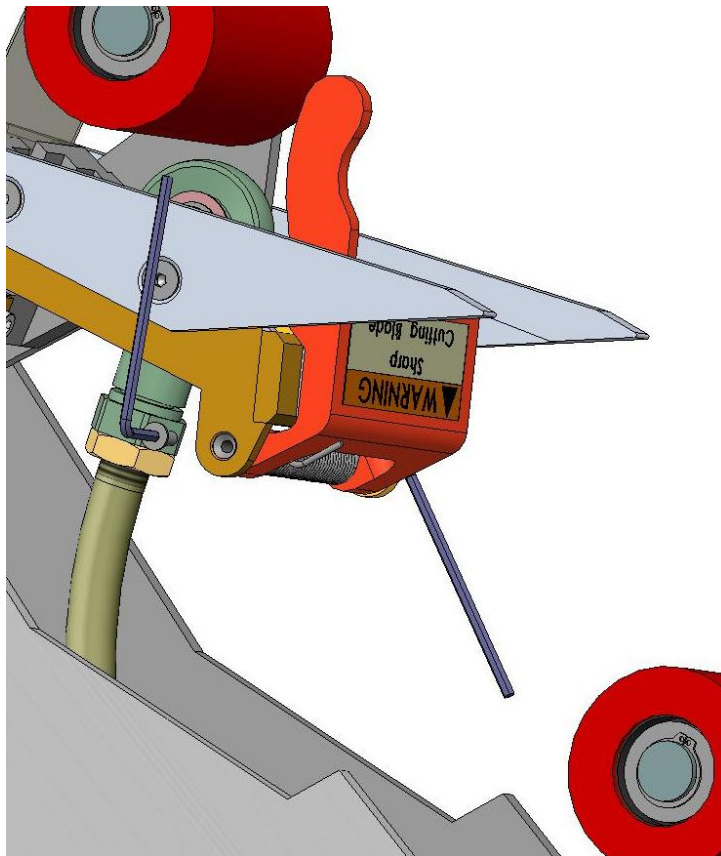


Figure 10-18

PREVENTIVE MAINTENANCE

Dual Independent Wipe Tabs Replacement

This dual independent wipe tabs assist in wiping down the top center seam of the case. While the red wipe down rollers execute much of the wipe down, the wipe down tabs enhance the wipe down as it can better conform to the irregularities of the top of the case such as over fills, void fills and the “wash-board” effect of thinner walled corrugated.

Over time, the tabs can become distorted or worn and should be replaced.

Dual Independent Wipe Tabs Replacement

1. Remove the M4 nylon lock nuts (**Item #1**)
2. Remove the rectangular washer (**Item #2**)
3. Remove the worn wiper tabs and replace them with new ones.
4. Fasten to the M4 PEM studs with the washer and nylon lock nuts as they were at the beginning. **Figure 10-19**
5. Pay attention to the orientation, remove the peelable label from the wipe tabs. (Some may find it easier to remove the bracket and do this change off the tape head.)

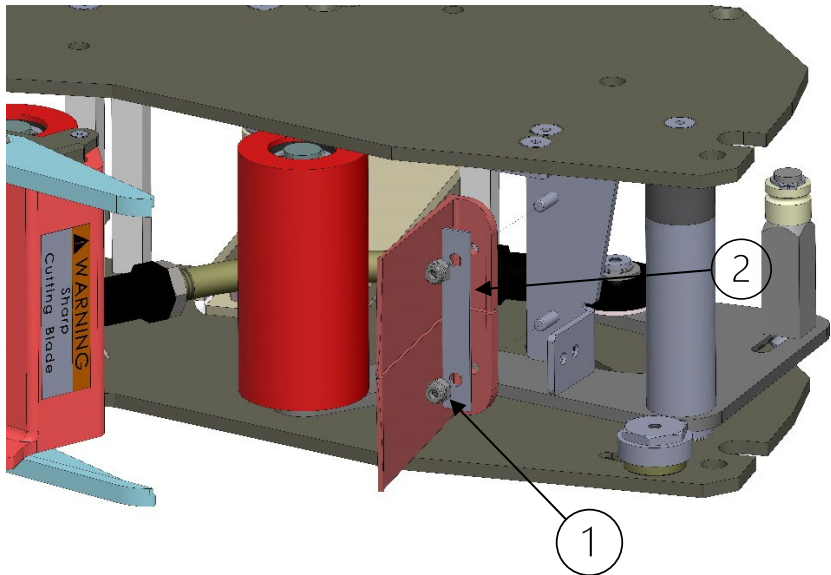


Figure 10-19

SCHEDULE OF PREVENTIVE MAINTENANCE

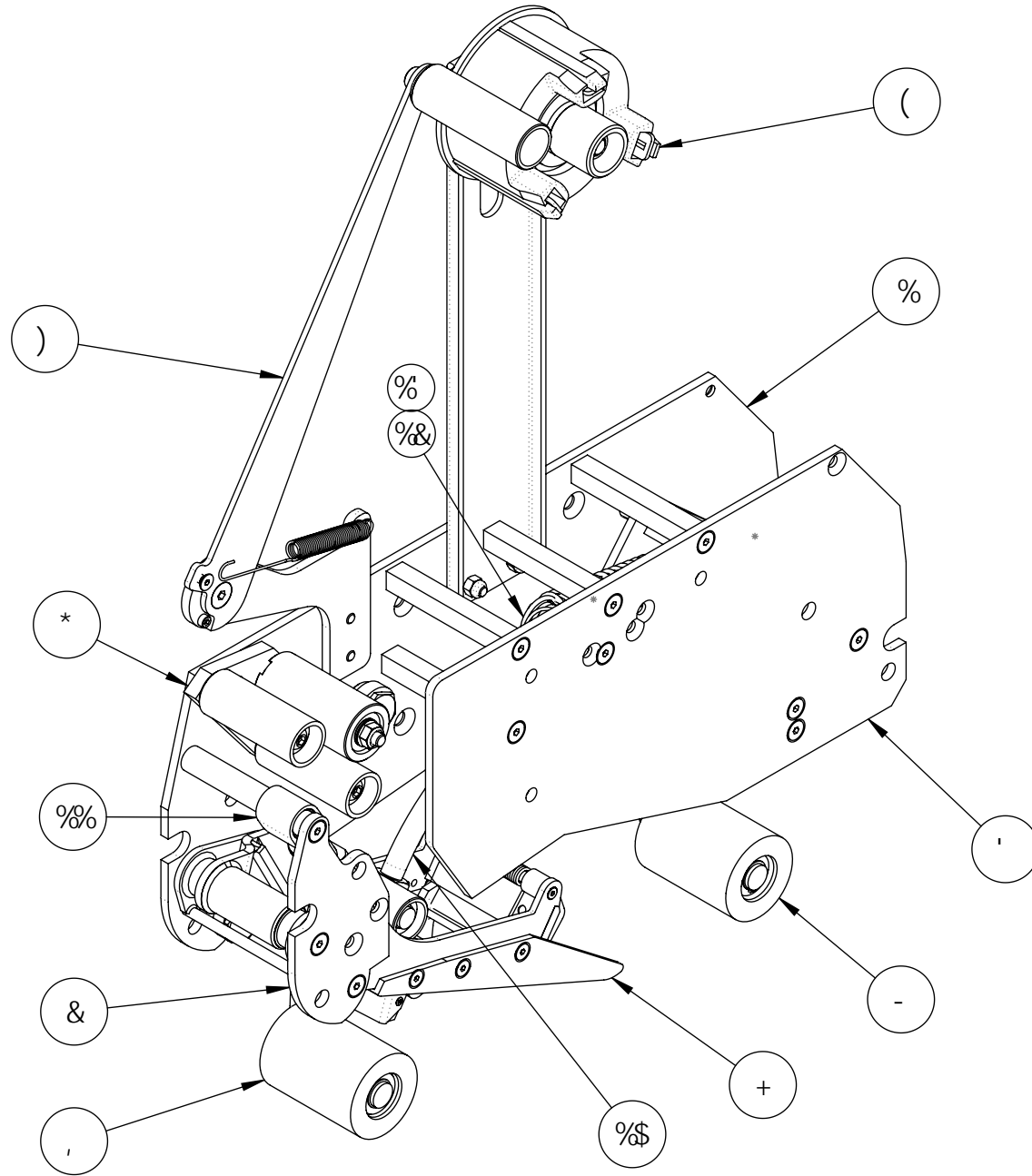
Item	Action Required	Material	Frequency		
			Weekly	Monthly	Quarterly
Blade Guard Oiler Pad	Lubricate	Mineral oil	X		
Hardware	Re-tighten any loose hardware				X
	Replace any missing hardware				X
Cutter Blade	Inspect for wear		X		
	Clean	Solvent Cleaner	X		
Mandrel Assembly	Disassemble & Observe				X
Mandrel Spring	Check for weakness	None			X
Mandrel Friction Washer	Clean	"Goo Gone"			X
Mandrel Metal Washer	None	None			X
Mandrel Shaft	Remove any dust and adhesive build up	Solvent Cleaner			X
Mandrel Bearing	Check for wear	None			X
Peel Roller					X
Delrin Roller	Check for free spinning. Disassemble and remove any adhesive build up	Solvent Cleaner			X
Pivot Shaft	Check for any restriction	Solvent Cleaner			X
Peel Roller Spring	Check for weakness				X
Plastic Guide Rollers	Check for free spinning. Disassemble and remove any adhesive build up	Solvent Cleaner		X	
Knurled PTFE Coated One Direction Clutch Roller	Back off tension. Check for free spinning. Disassemble and remove any adhesive build up	Solvent Cleaner		X	
Knurled PTFE Coated Guide Roller	Rotation should be slightly restricted by Belville washer. Disassemble and remove any adhesive build up if excessive restriction is detected	Solvent Cleaner		X	
Front Red Wipe Down Rollers	Rotation should be slightly restricted by Belville washer. Disassemble and remove any adhesive build up if excessive restriction is detected	Solvent Cleaner		X	
Rear Red Wipe Down Rollers	Check for free spinning. Disassemble and remove any adhesive build up	Solvent Cleaner		X	
Main Spring	Remove and inspect for any wear or nicks. Replace as necessary			X	
Knife Spring	Remove and inspect for any wear or weakness. Replace as necessary				X
Tape Shoe Guide Flat Spring	Inspect for any wear or weakness. Replace as necessary			X	
Wiping Tabs	Inspect for any wear or breakage. Replace as necessary			X	
Main Applying And Wipe Down Assembly	Remove <u>Main Spring</u> and check for any restrictions when assembly is in motion	Worn bearings, bent shafts, bent roller arms			X
Knife Arm Assembly	Remove <u>Knife Spring</u> and check for any restrictions when assembly is in motion	Worn bearings, bent shafts, bent arms			X

Refer To Assembly Drawings For Part Numbers Of Replacement Parts If Required

APPENDIX A – ILLUSTRATIONS & PARTS LISTS

Tape Head Assembly.....	42
Main Frame Sub-Assembly.....	44
Front Cover Frame Sub-Assembly.....	46
Rear Cover Frame Sub-Assembly.....	48
Independent Wiper Tabs' Assembly.....	50
Mandrel Assembly.....	52
Mandrel Arm Assembly.....	54
Mandrel Hub Assembly.....	56
Peel-Off Arm Assembly.....	58
Clutch Bracket Assembly.....	60
Clutch Roller Sub-Assembly.....	62
Knife Arm Assembly.....	64
Front Arm Assembly.....	66
Tape Shoe Sub-Assembly.....	68
Repulsive Pivot Assembly.....	70
Rear Arm Assembly.....	72
Link Assembly.....	74
Box Detect Option.....	76
Low Tape Option.....	78
No Tape Option.....	80

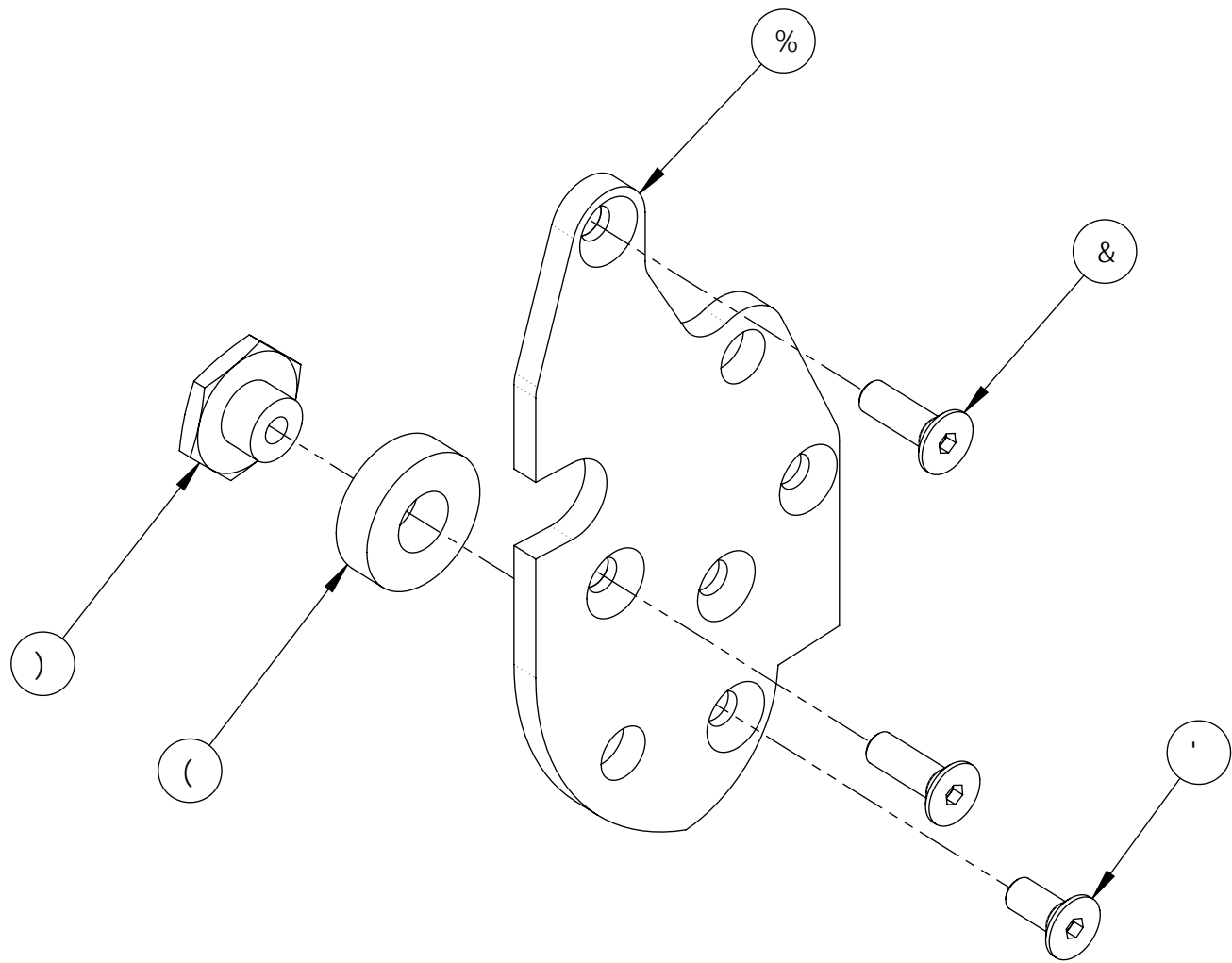
THIS PAGE INTENTIONALLY BLANK



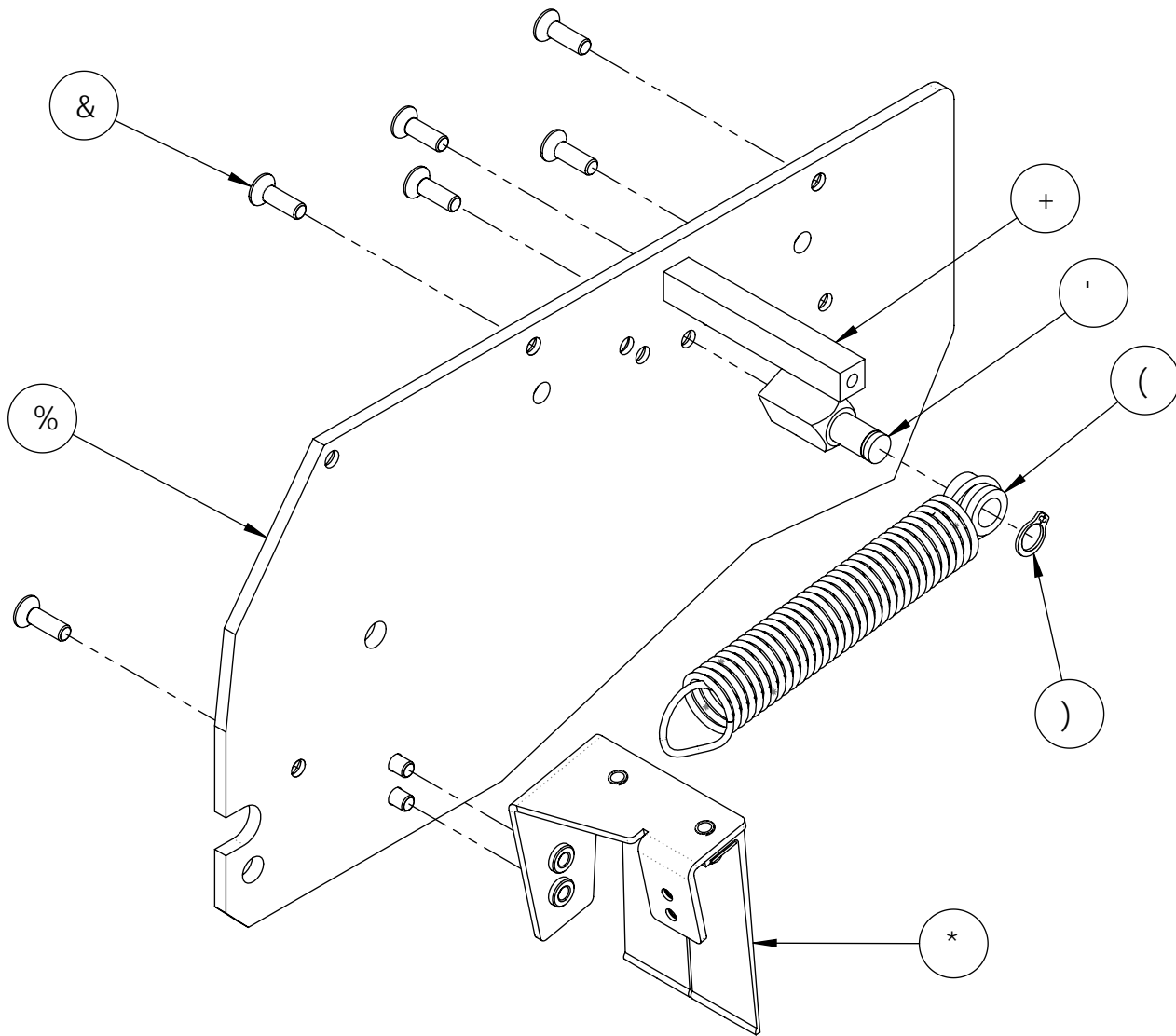
#9A	DUfh,	8 9G7 F ðH€ B	I <&+- H!` &""E HM	I <+-+ H!` ' ""E HM
%	I G<%\$**	A 5-B : F5A 9`"A #FC F	%	!
%	I G<%\$*+	A 5-B : F5A 9' ""A #FC F	!	%
&	I G<%\$*,	:FCBH7CJ 9F : F5A 9'A #FC F	%	%
'	I G<' ,) ,	F95F`7CJ 9F : F5A 9'5GGfM A #FC F`&`	%	!
'	I G<' ,) -	F95F`7CJ 9F : F5A 9'5GGfM A #FC F' ""	!	%
(I G<(%(*	A 5B8F9@5GGfM&`	%	!
(I G<(%(+	A 5B8F9@5GGfM' ""	!	%
)	I G<\$-')	D99@C :: '5GGfM(, 'A #FC F	%	!
)	I G<\$-' *	D99@C :: '5FA '5GGfM+) 'A #FC F	!	%
*	I G<\$- &+	7 @ H7 < '5GGfM(, 'A #FC F	%	!
*	I G<\$- & ,	7 @ H7 < '5GGfM+&'A #FC F	!	%
+	I G<%\$*&	?B ÷ 9'5FA `&""9H&") 'A #FC F	%	!
+	I G<%\$*'	?B ÷ 9'5FA ' ""9H&") 'A #FC F	!	%
,	I G<%\$*(:FCBH5FA `(, 'A #FC F	%	!
,	I G<%\$*)	:FCBH5FA `+&'A #FC F	!	%
-	I G<\$-' %	F95F`5FA '5GGfM(, 'A #FC F	%	!
-	I G<\$-' &	F95F`5FA '5GGfM+&'A #FC F	!	%
%\$	I G<\$-' -	@B? '5GGfM9H=	%	%
%%	I G<%) +	F9DI @GJ 9'DJ C H5GGfM	%	%
%&	I D<%\$- \$	A 5-B`GDF-B;	%	%
%	I D<\$- - -	9LH9B G€ B`GDF-B;	%	%

#9A	D5FH,	8 9G7 F ðH€ B	I G<%\$**#&"" E HM	I G<%\$*+#' "" E HM
%	I D<' +))	A 5 ð 5GGfM: F5A 9'A ðFC F	%	%
&	I D<' **)	GD57 9F '65F	!	'
&	I D<' *',	GD57 9F '65F	'	!
'	I D<' **((5FA G'D∫ C HG<5: H9HA	!	'
'	I D<' *' * (5FA G'D∫ C HG<5: H9HA	'	!
(I D<\$, +&	GHC D'F9H5 ð 9F '9HA	'	'
)	I D<%(%+	I F9Hk5B9'GHC D	%	%
*	I D<% '	I F9Hk5B9'GHC D	&	&
+	I :), \$\$: @5HK 5G<9F '85 ')") I '&\$!('Hk?	&	&
,	I :)(\$(: <7 GA)!\$, I '%* 'a a	,	,
-	I : *' ' +	: "K "DH 9ž%&") I '&\$ I '\$&- 'a a	((
%\$	I : *' ' *	: "K "DH 9ž% I '%- I '%a a	((
%%	I : ' &, &	GG: <7 GA)!\$, I '%&'a a	%	%

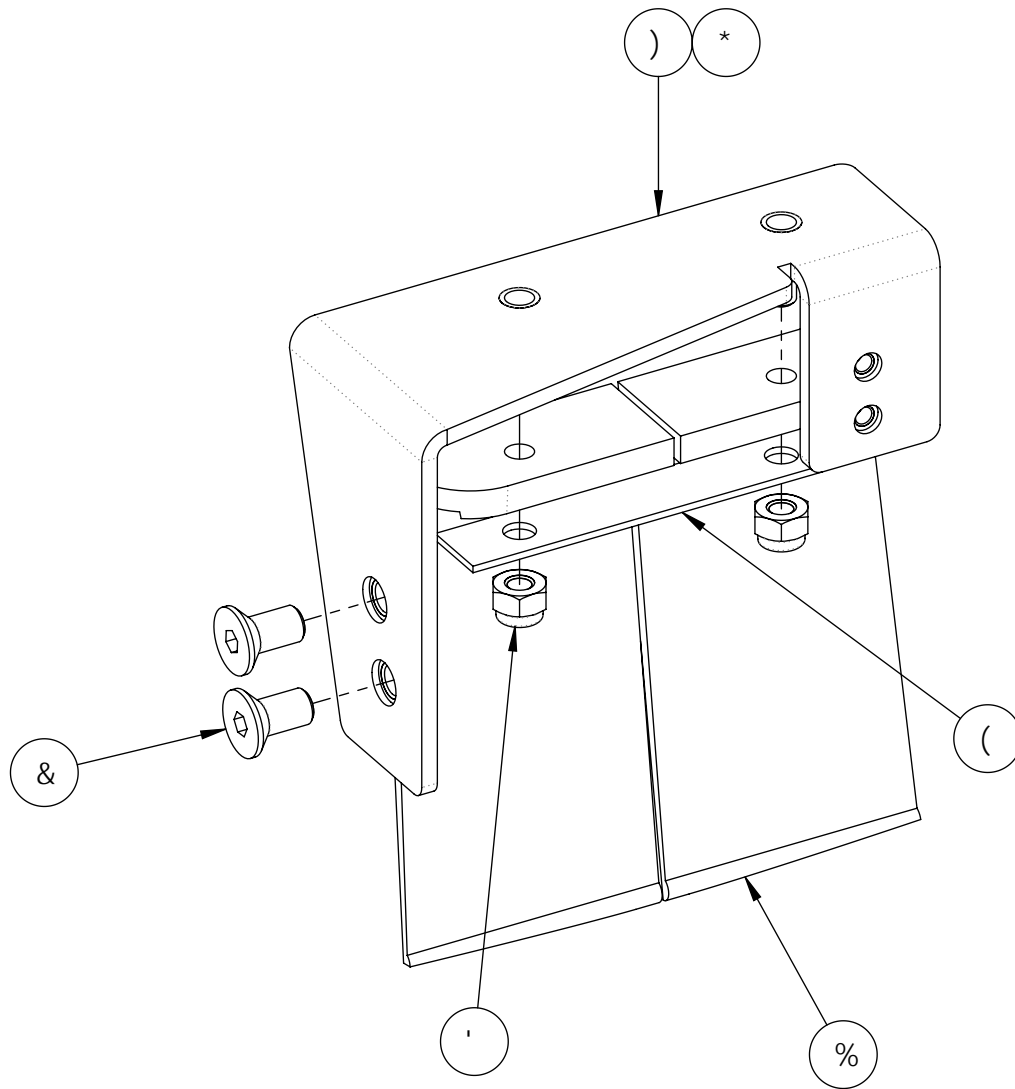
BchY. :#Y a '%%UbX '%&'hc ZhUggYa V m'



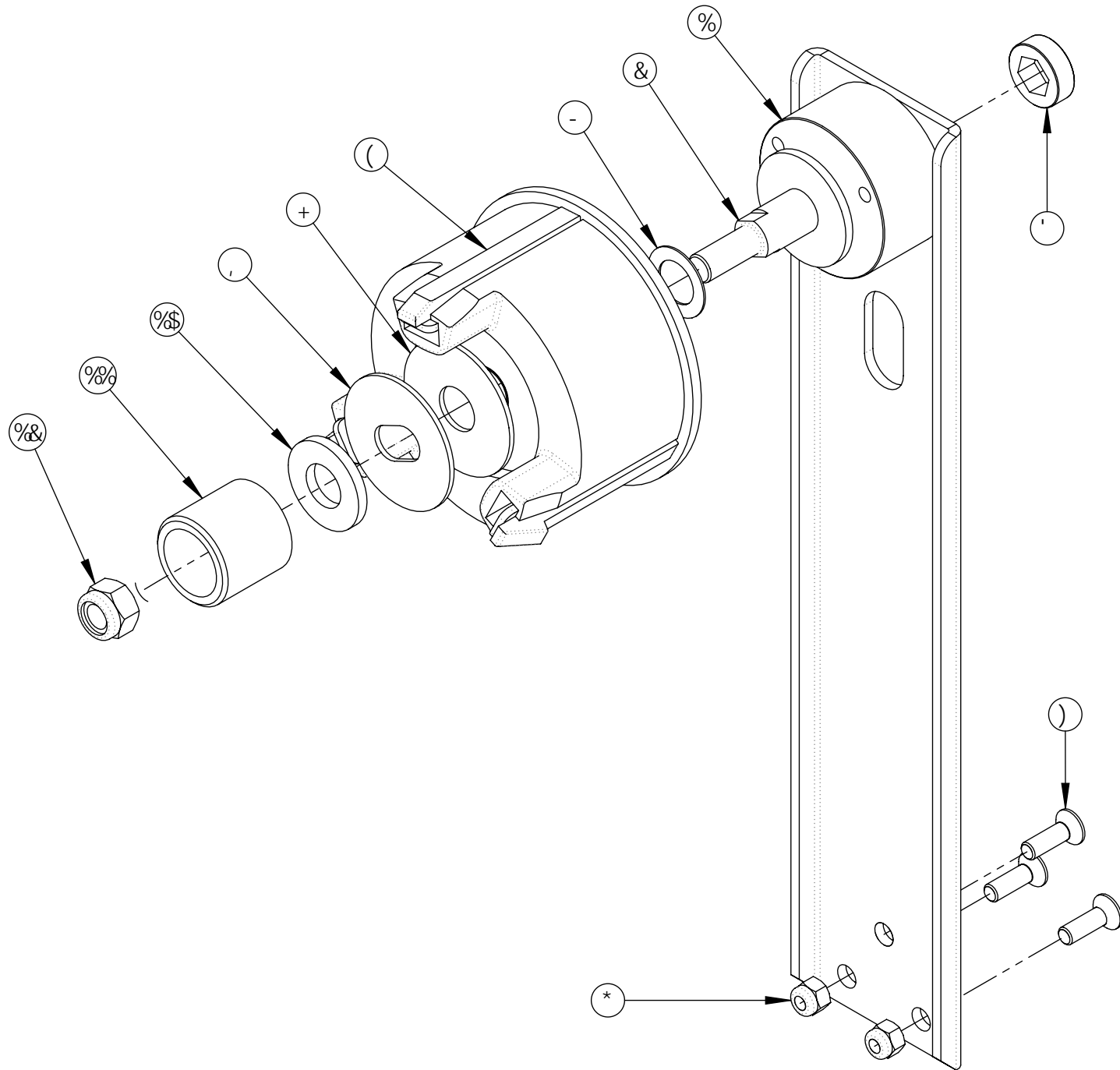
#9A	D5FH.	8 9G7 F ðH€ B	I G<%\$*, # E HM
%	I D<-%\$,	: FC BH7 C J 9F : F5A 9'A ðFC F	%
&	I :) (\$(: <7 GA)!\$, 'I '%* 'a a	&
'	I :) (\$\$: <7 GA)!\$, 'I '%&'a a	%
(I D<%{ %+	I F9Hk5B9'GHC D	%
)	I D<\$, +&	GHC D'F9H5 ð9F '9HA	%



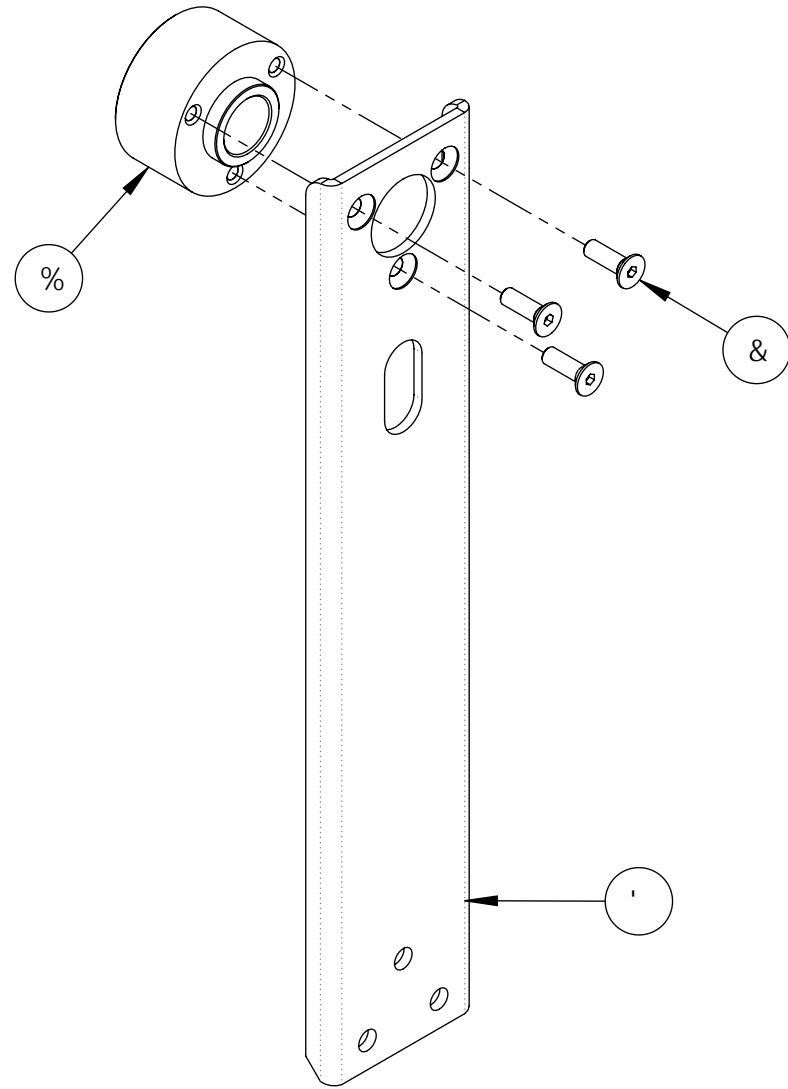
#9A	D5FH	8 9G7 F ĐHC B	I G<' ,) , # &'E HM	I G<' ,) - # ' "E HM
%	I D< - %\$(F 95F '7 C J 9F : F 5A 9'A ₣FC F	%	%
&	I :) (\$(: <7 GA) ! \$, ' I %* 'a a	*	*
'	I D< ' * (\$	F 9H5 B 9F žA 5 B 'GDF B ; '&"	%	!
'	I D< ' ***	F 9H5 B 9F žA 5 B 'GDF B ; ' " "	!	%
(I D< \$, *'	A 5 B 'GDF B ; 'F 9H5 B 9F 'G@99J 9	%	%
)	I : *' \$'	9LH'F 9H5 B B ; 'F B ; ' - 'a a	%	%
*	I 5 < \$ & ()	K ĐB ; 'H5 6'A ₣FC F '5 GGfM&"	%	!
*	I 5 < \$ & (*'	K ĐB ; 'H5 6'A ₣FC F '5 GGfM' "	!	%
+	I D< - \$ (%	GD5 7 9F '65 F	%	!
+	I D< + &) -	GD5 7 9F '65 F	!	%



#DA	D5FH	89G7F-DHC B	I 5<\$&() #E HM	I 5<\$&(* #E HM
%	I D<(, -(8I 5@B89D9B89BHK D9'H56G&"	%	!
%	I D<(, -)	8I 5@B89D9B89BHK D9'H56G' "	!	%
&	I : ' &* &	GG: <7GA)!\$, I '%\$'a a	&	&
'	I : (' &(GG'BM@C B '@C 7?BI HA (&	&
(I D<(, - *	F97H5B; I @5F'K 5G<9F	%	!
(I D<(, - +	F97H5B; I @5F'K 5G<9F	!	%
)	I D<)%*\$	K DB; 'H56'6F57?9H&"Z9H&Z'A F	%	!
*	I D<)%*%	K DB; 'H56'6F57?9H' "Z9H&Z'A F	!	%

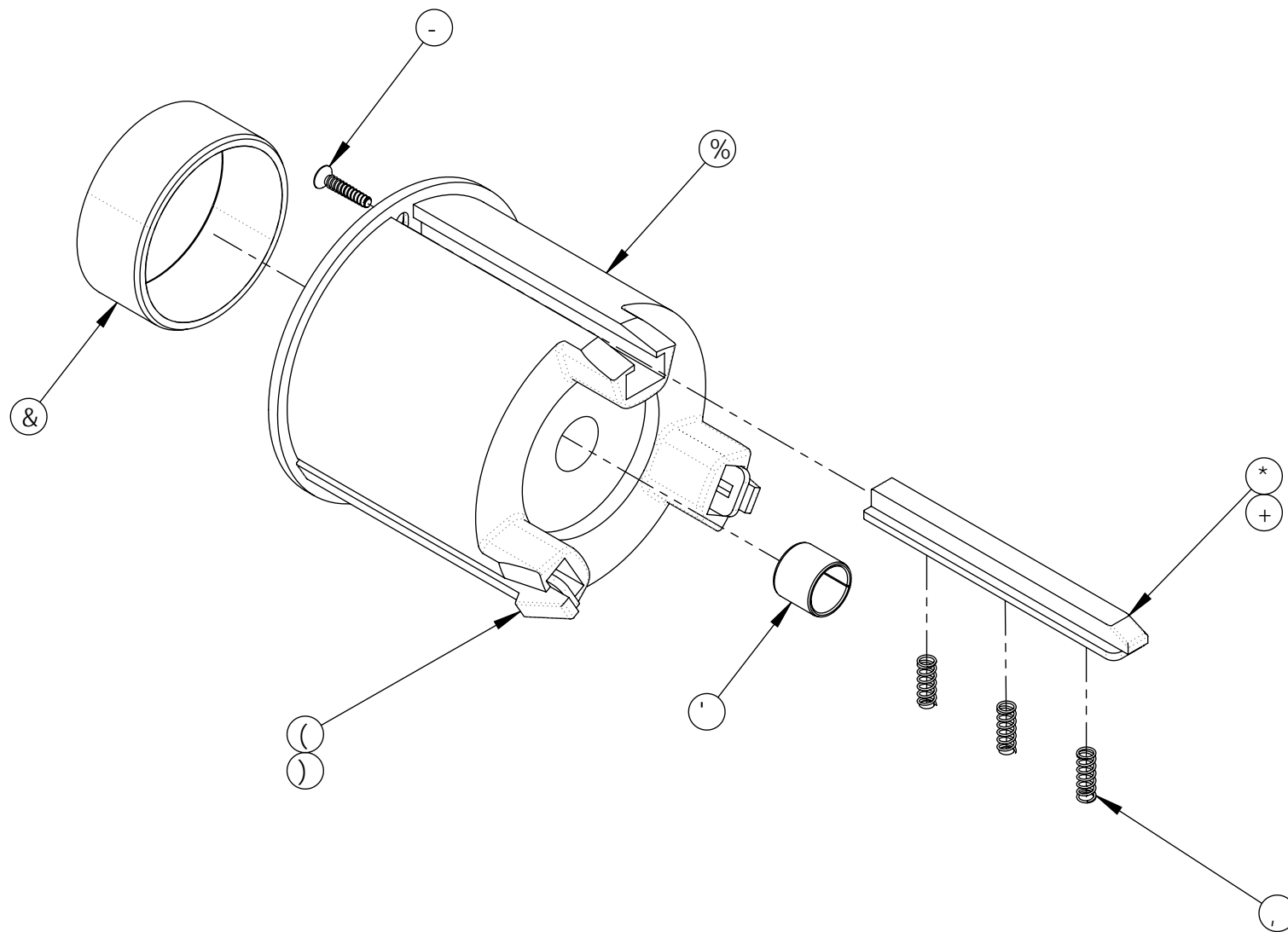


#9A	D5FH	8 9G7 F-DHC B	I G< (% * ' & "#E HM	I G< (% + ' "#E HM
%	I 5< \$\$-'	A 5B8F9@5FA 'GI 6'5GGfM	%	%
&	I D<+*, +	G<5: HZA 5B8F9@	%	!
&	I D<+*, ,	G<5: HZA 5B8F9@	!	%
'	I D<' +*(<9L 'GC 7?9HD@ ;	%	%
(I 5<\$%+,	A 5B8F9@5GGfM&"	%	!
(I 5<\$%+-	A 5B8F9@5GGfM' "	!	%
)	I :)(\$(: <7 GA)!\$, 'l '%* 'a a	'	'
*	I :'' -'	BMC B '@C 7? 'BI HA)	&	&
+	I :+ \$&	BMC B 'K 5G<9F '%#&"'l '%#&"'l '%#%* "	%	%
,	I D<%\$\$*	GG'A 5B8F9@: F=7 HC B 'K 5G<9F	%	%
-	I :*' ')	: "K "DH 9Z%&" 'l '&\$'l '\$")) 'a a	%	%
\$\$	I D<+*, -	BMC B 'GD57 9F	%	%
%%	I D<(, \$\$	58>l GA 9BHG@99J 9	%	%
%&	I :() %&	GG'A , !%\$ BMC B '@C 7? 'BI H	%	%



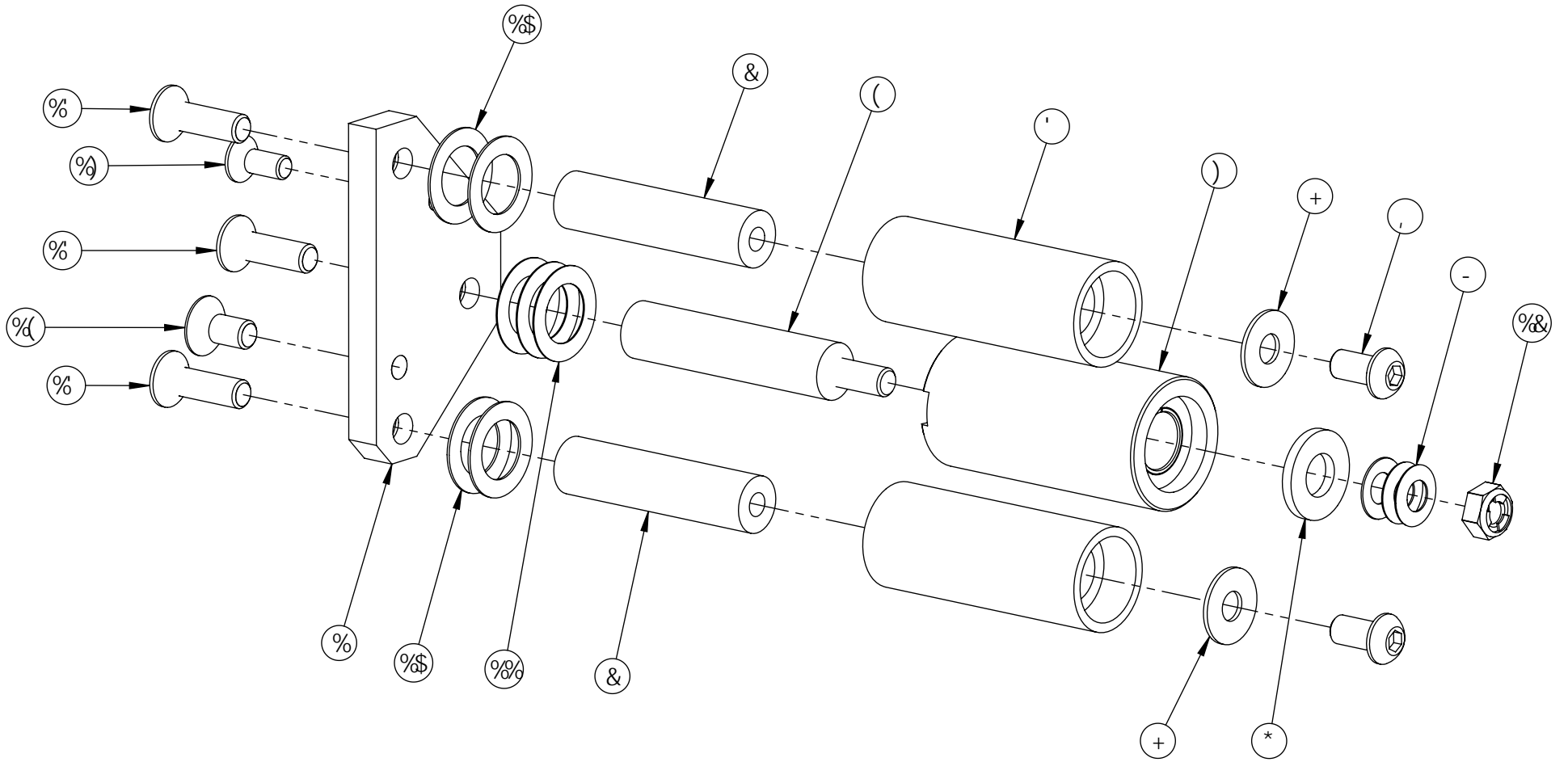
#9A	D5FH	8 9G7 F ðH€ B	l 5<\$-\$' # E HM
%	l D<%() -	A 5B8F9@<l 6	%
&	l :) (\$ (: <7 G`A)!\$, 'l '%* `a a	'
'	l D<%()* *	A 5B8F9@5FA `9H	%

1 5 < \$%+, #1 5 < \$%+-

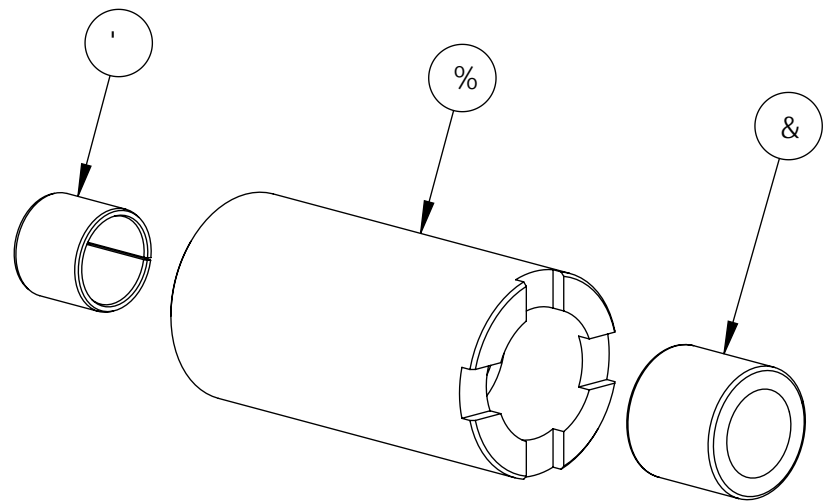


#9A	D5FH,	8 9G7 F-ÐH€ B	l 5<\$%+, ' &''#E HM	l 5<\$%+- ' ''#E HM
%	l D<% ,)	A 5B8F9@	%	!
%	l D<% , *	A 5B8F9@	!	%
&	l D<' - - -	695F-ß; '() 'l ''&\$	%	%
'	l D<\$- \$+	695F-ß; '%&l '%('l '%&'@ "	%	%
(l D<% , (GDF5; ž<C C ?98	!	%
)	l D<% , '	GDF5; ž<C C ?98	%	!
*	l D<% - '	GDF5;	!	&
+	l D<% - &	GDF5;	&	!
,	l D<%(' *,	7 C A DF9GG-€ B 'GDF-ß;	*	-
-	l : ' , &\$	GG'A ' 'l '%) 'G9@ 'H5 DD-ß; ': <	'	'

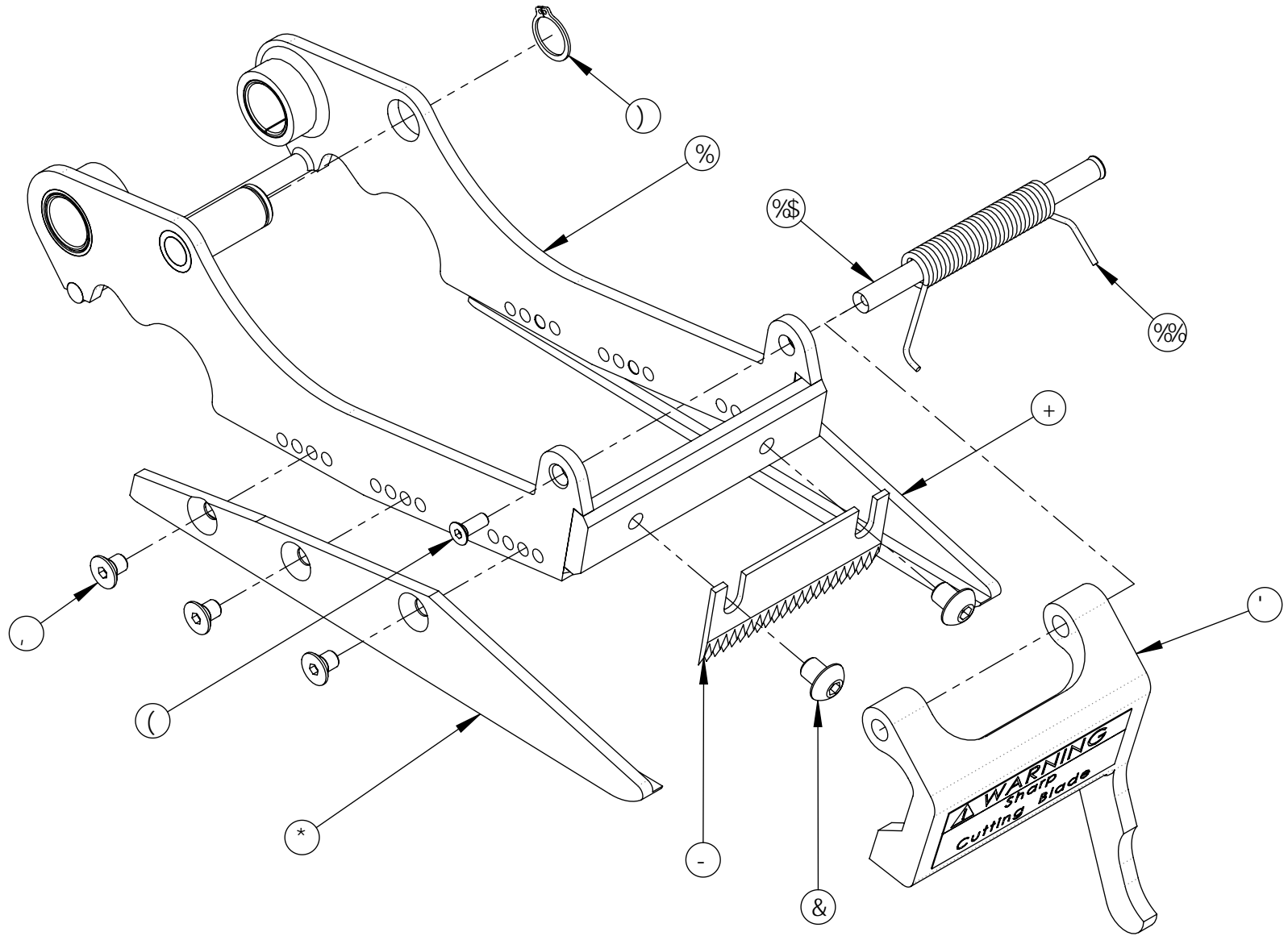
#9A	D5FH,	89G7 F-DHC B	I G<\$-')' &'a j' E HM	I G<\$-' '*' ' 'a j' E HM
%	I D<%&- %	D99@C:: '5FA 'GI DDC FH9H	%	%
&	I D<\$- \$(D99@C:: '5FA 'D J C H	%	%
'	I : '* , ,	BMC B : "K ""%\$") I '%* I '\$,)	%	%
(I : %\$(&	: <7 GA *!%I '%&'a a	%	%
)	I :) &\$&	G<7 GA ' ! \$") I '* 'a a	%	%
*	I : '* \$)	: <7 GA) ! \$" , I '%\$ 'a a	&	&
+	I : \$, ' \$	G<7 GA *!%I '%* 'a a	%	%
,	I D<\$, , +	; I 89'FC @9F 'G<5: H9HA	%	!
,	I D<\$- (-	; I 89'FC @9F 'G<5: H9HA " "	!	%
-	I : %%)	6<7 GA *!%I '%&'a a	%	%
%\$	I : '* - %	: "K ""* I '%* I '%a a	%	%
%%	I : %* %	H<FI GHK 5G<9F '%&'('I '&\$'I '%	%	%
%&	I D-\$*\$%	D99@C:: 'FC @9F '9H(,	%	!
%&	I D-\$+\$	D99@C:: 'FC @9F '9H+&	!	%
%	I D<%&, -	GDF-B; 'D99@C:: '9HA	%	%
%(I :) (\$%	: <7 GA (!\$" + I ' , 'a a	&	&
%)	I D<' , , (D99@C:: '5FA 'A #FC F	%	%



#9A	DUfh,	8 9G7 F-ÐHC B	I G<\$- &+!' &''E HM	I G<\$- &,'! ' ''E HM
%	I D<' +%)	7 @ H7 < '6F57?9HA #FC F	%	%
&	I D<\$, , +	; I #9'FC @9F 'G<5: H9HA	&	!
&	I D<\$- (-	; I #9'FC @9F 'G<5: H9HA " "	!	&
'	I D<\$, , ,	; I #9'FC @9F '9HA	&	!
'	I D<\$-) \$; I #9'FC @9F '9HA " "	!	&
(I D<%\$&	7 @ H7 < 'G<5: H	%	!
(I D<%&) (7 @ H7 < 'G<5: H	!	%
)	I 5<\$&(\$	7 @ H7 < 'K "'695F-B; ' &'!'BHA #	%	!
)	I 5<\$&(%	7 @ H7 < 'K "'695F-B; ' "'!'BHA #	!	%
*	I : *' (*	: K 'A , 'B5FFCK	%	%
+	I : *' - %	: "K "'* 'I '%* 'I '%a a	&	&
,	I : %%)	6<7 GA *!%l '%&'a a	&	&
-	I : % + \$	69@9J @9K "'\$&* 'I '\$") 'I "\$' *	'	'
\$\$	I : *' ')	: "K "'DH 9ž%&") 'I '&\$'I '\$")) 'a a	((
%%	I : *' ' +	: "K "'DH 9ž%&") 'I '&\$'I '\$"&- 'a a	'	'
%&	I : ' (\$ (A *!%\$' @ 7 ? 'I 'BI H	%	%
%	I :) (\$&	: <7 GA *!%l 'I '&\$	'	'
% (I : %\$ (&	: <7 GA *!%l '%&'a a	%	%
%)	I :) (\$ \$: <7 GA)!\$', 'I '%&'a a	%	%

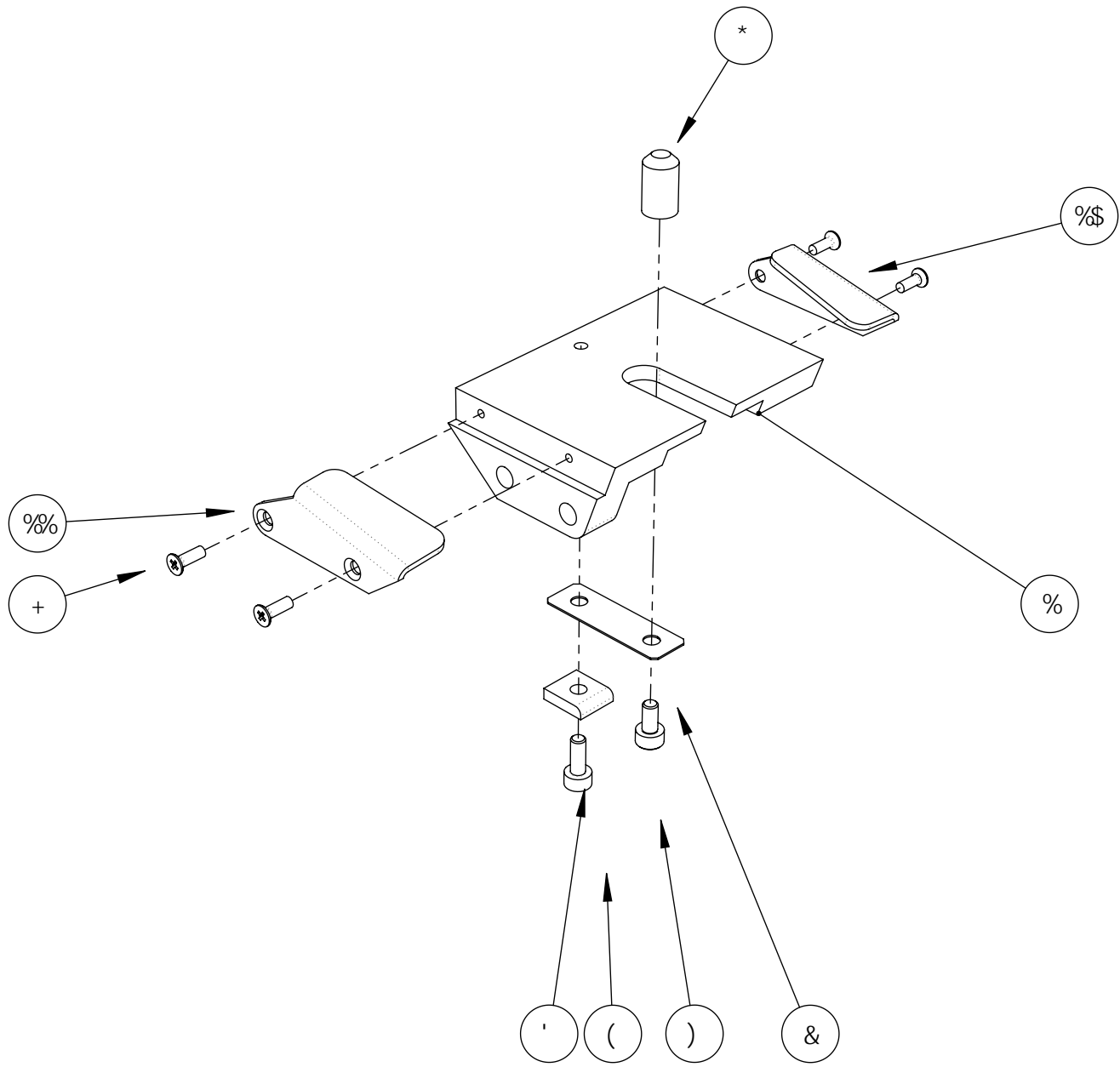


#9A	D5FH,	89G7 F DHC B	I 5<\$&(\$' &'a JfE HM	I 5<\$&(% ' "a JfE HM
%	I D<- % \$	7 @ H7 < 'FC @@9F	%	!
%	I D<- \$+\$	7 @ H7 < 'FC @@9F	!	%
&	I D<\$- \$,	695F-B; ž%&'a a ž7 @ H7 <	%	%
'	I D<%\$' (695F-B; '%&'%'(' '%&'@ 'GG	%	%

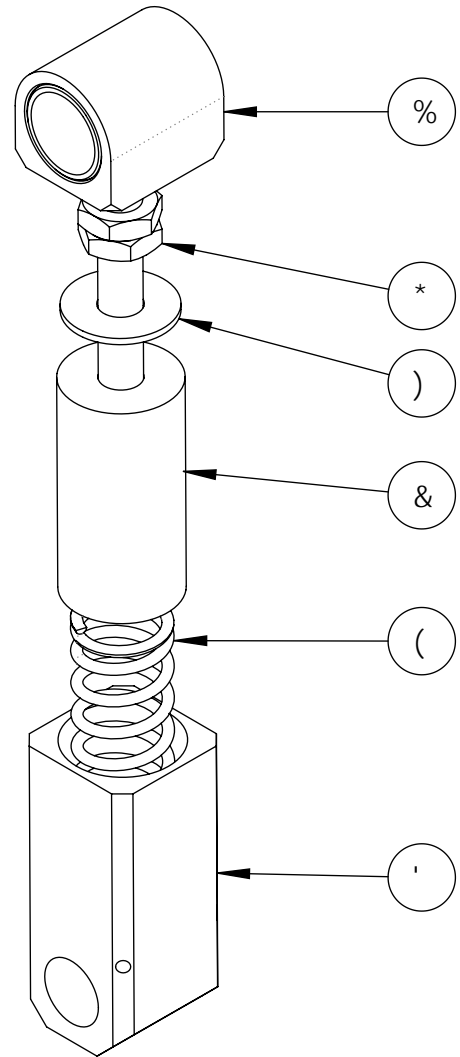


#9A	D5FH,	8 9G7 F ðHC B	I G<%\$* &'! &""E HM	I G<%\$*' '!' ' ""E HM
%	I 5 < \$%)	?B ÷ 9'5FA 'K #695F ð; ' &""A ðFC F	%	!
%	I 5 < \$%) *	?B ÷ 9'5FA 'K #695F ð; " ""A ðFC F	!	%
&	I :) *\$%	6<7 GA)!\$, I '*	&	&
'	I 5 < \$%%	D@5GH7 ?B ÷ 9; I 5F8 '&'	%	!
'	I 5 < \$%%(D@5GH7 ?B ÷ 9; I 5F8 " "	!	%
(I : '* %&	: <7 GA ' !)\$" I ' , 'a a	&	&
)	I : '* \$%	F9H5 ð ð; 'F ð; : CF %\$'a a 'G<5:H	%	%
*	I D<, \$, &	?B ÷ 9'5FA '9LH9BG€ B 'F ÷ <H	%	%
+	I D<, \$, '	?B ÷ 9'5FA '9LH9BG€ B '@9: H	%	%
,	I : '*) &	: <7 GA (!\$"+I '* 'a a	*	*
-	I D< \$%-'	GG7I HC :: '6@589' (,	%	!
-	I D< \$&+%	GG7I HC :: '6@589'+)	!	%
%\$	I D< - %+	G<5: HZ6@589; I 5F8	%	!
%\$	I D< - %+,	G<5: HZ6@589; I 5F8	!	%
%%	I D< - %)	GG'HC FG€ B 'GDF ð;	%	%

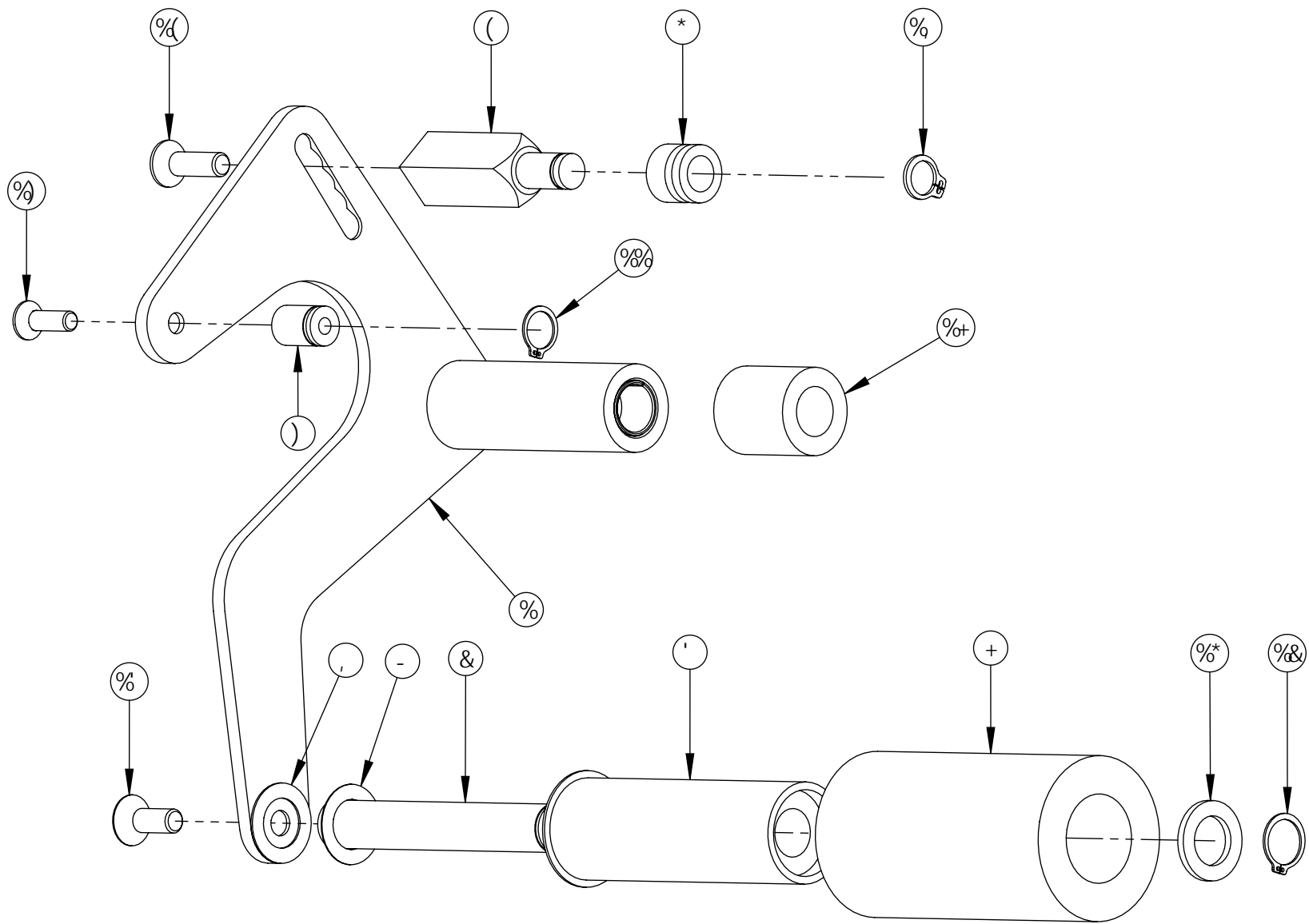
#DA	D5FH,	8 9G7 F-DHC B	I G<%\$*(' &'E HM	I G<%\$*(' 'E HM
%	I 5<\$%) (: FC BH5FA 'K #695F-B; 'A #FC F	%	%
&	I 5<\$\$%	A # 'H5D9'G<C 9' (,	%	!
&	I 5<\$\$%(A #FC F 'H5D9'G<C 9'+&	!	%
'	I 5<\$\$+)	; I 89FC @9F 'K "'695F-B; G'+&	!	%
'	I 5<\$\$+(; I 89FC @9F 'K "'695F-B; G' (,	%	!
(I : '* '\$%	F9H5-B-B; 'F-B; ' : CF '%\$'a a 'G<5: H	&	&
)	I D<\$- **	FC @9F 'G<9@@	!	%
)	I D<\$++)	FC @9F 'G<9@@	%	!
*	I : '* ' , -	BMC B: "K "'%\$"* 'I '%* 'I '\$")	&	&
+	I : %+- ,	HkFI GHK 5G<9F '%\$"%I '%+" 'I '%	%	%
,	I :) (\$\$: <7 GA)!\$" , 'I %&'a a	&	&
-	I :) (\$ (: <7 GA)!\$" , 'I %* 'a a	%	%
%\$	I : %%- &	: <7 GA *!%I '%* 'a a	&	&
%%	I D<\$&, %	GDF-B; '!H5D9; I 89FC @9F 'H<"	%	%
%&	I D<\$- * ,	H: @C B 'FC @9F 'G<5: H+&	!	%
%&	I D<\$, , (H: @C B 'FC @9F 'G<5: H(,	%	!
%	I D<\$, , *	@B? 'G<5: H9HA	%	%
%\	I : % *%	HkFI GHK 5G<9F '%&'('I '&\$'I '%	%	%
%)	I D<' **+	FC @9F '7CF9	!	%
%)	I D<' *(%	FC @9F '7CF9	%	!
%*	I D<' ** ,	G<5: HFC @9F '9HA '=	!	%
%*	I D<' *(')	G<5: HFC @9F '9HA '=	%	!
%+	I : * (\$&	: "K "'DH 9z%&") 'I '%+" 'I '\$") 'a a	%	%
%	I : ((\$%	8-67 'GDF-B; '%&'&X 'I '&%cX	&	&
%-	I : '* '\$\$	F9H5-B-B; 'F-B; ' : CF '%&'a a 'G<5: H	%	%
&\$	I D<%\$' %	GD57 9F	!	%
&%	I : '* ' +	: "K "'DH 9z%&") 'I '&\$'I '\$"&- 'a a	&	&



#9A	D5FH,	89G7 F ðH€ B	E HM	E HM
%	D<' +%&	A ꝑFC F' H5D9'G<C 9'9H=(,	%	!
%	D<' +&&	A ꝑFC F' H5D9'G<C 9'9H=+&	!	%
&	D<' +\$*	GDF ð; '6@589	%	%
'	D<\$, , \$	GE 5F9'K 5G<9F	%	%
(: *(\$\$	G<7 GA ' ! \$") ;	%	%
)	:)&\$\$	G<7 GA ' ! \$") '* 'a a	%	%
*	D<\$, +-	: ð; 9F	%	%
+	:)(\$*	: <7 GA &! \$" ('* 'a a '	((
,	D<\$' &'	H5D9'G<C 9'; ð9'F"<"	!	%
-	D<\$, ' *	H5D9'G<C 9'; ð9'@<"	!	%
\$\$	D<\$, , '	H5D9'G<C 9'; ð9'F"<"	%	!
%%	D<\$, , &	H5D9'G<C 9'; ð9'@<"	%	!



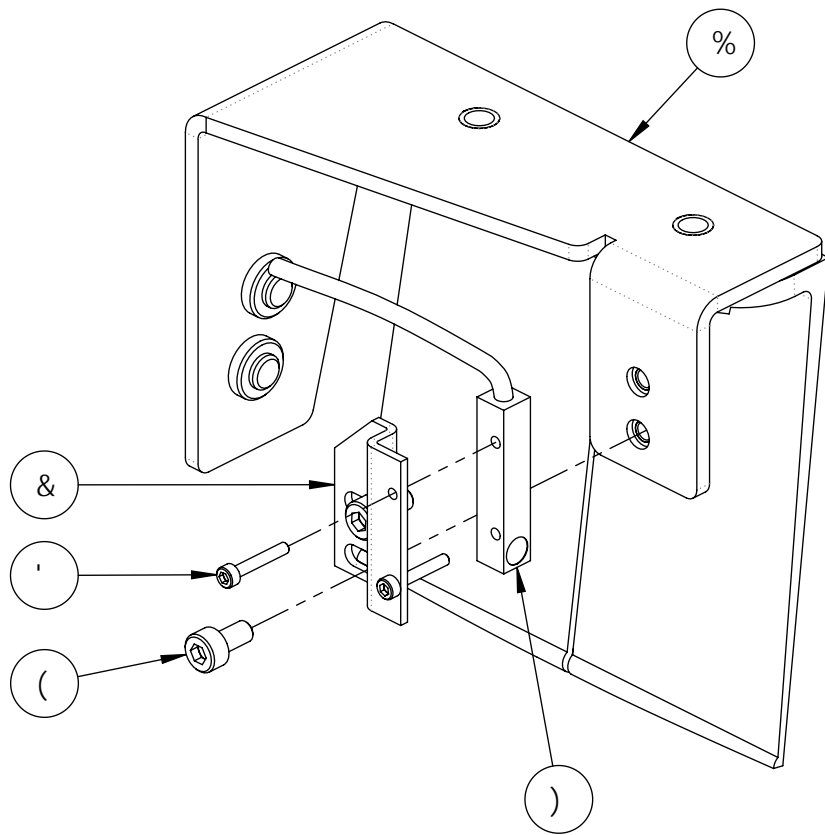
#9A	D5FH ₆	8 9G7 F ðH€ B	I G< %\$) + E HM
%	I 5< \$%) \$	GDF ð; 'A 5B8F9@J &	%
&	I D<+* +,	GDF ð; ; I ð9'J &	%
'	I D<, %%%	GDF ð; '65FF9@J &	%
(I D< (**)	7 C A D''GDF ð; '% "+C "8""%"+K "8") \$", '@C B;	%
)	I :*' -%	: "K ""'l '%* 'l '%a a	%
*	I :-%(-	>5A 'BI HA *	&



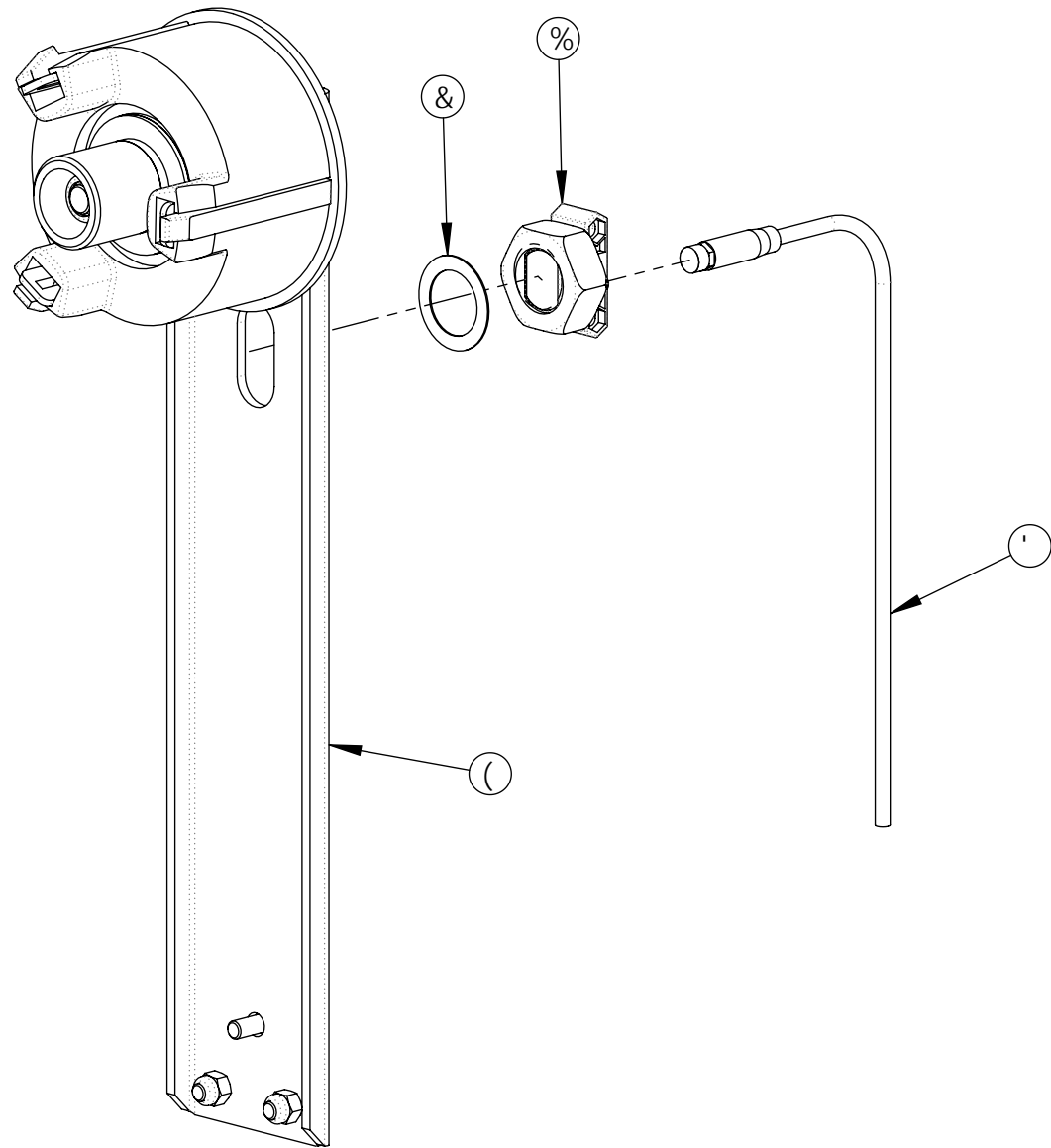
#9A	D5FH,	8 9G7 F-ÐHC B	I G<\$-' % &"a]r'E HM	I G<\$-' & ' "a]r'E HM
%	I 5<\$\$%	A #FC F'F95F '5FA 'K "'695F B;	%	%
&	I D<' *(')	G<5: HFC @9F '9HA '=	%	!
&	I D<' ** ,	G<5: HFC @9F '9HA '=	!	%
'	I D<' *(%)	FC @9F '7 C F9	%	!
'	I D<' ** +	FC @9F '7 C F9	!	%
(I D<- %-	F9H5-B9F	%	!
(I D<- %- *	F9H5-B9F	!	%
)	I D<\$, , *	@B? 'G<5: H9HA	%	%
*	I D<\$, *'	A 5-B 'GDF B; 'F9H5-B9F 'G@99J 9	%	%
+	I D<\$++)	FC @9F 'G<9@@	%	!
+	I D<\$- **	FC @9F 'G<9@@	!	%
,	I : *' ')	: "K " "DH 9Z%&" 'I '&\$'I '\$") 'a a	%	%
-	I : *' ' +	: "K " "DH 9Z%&" 'I '&\$'I '\$"&- 'a a	%	%
%%	I : *' \$%	F9H5-B-B; 'F-B; ': C F %\$'a a 'G<5: H	%	%
%&	I : *' \$\$	F9H5-B-B; 'F-B; ': C F %&a a 'G<5: H	%	%
%	I : %% &	: <7 GA *!'%I '%* 'a a	%	%
%&	I :) (\$&	: <7 GA *!'%I '&\$	%	%
%&	I :) (\$&	: <7 GA)!\$', 'I '%* 'a a	%	%
%*	I : % * &	H<FI GHK 5G<9F '%&'('I '&\$'I '&	%	%
%+	I D<%\$' %	GD57 9F	!	%
%	I : *' '\$'	9LH'F9H5-B-B; 'F-B; '- 'a a	%	%

BchY: #Ya ' , UbX - 'rc ZhUgYa V'mt

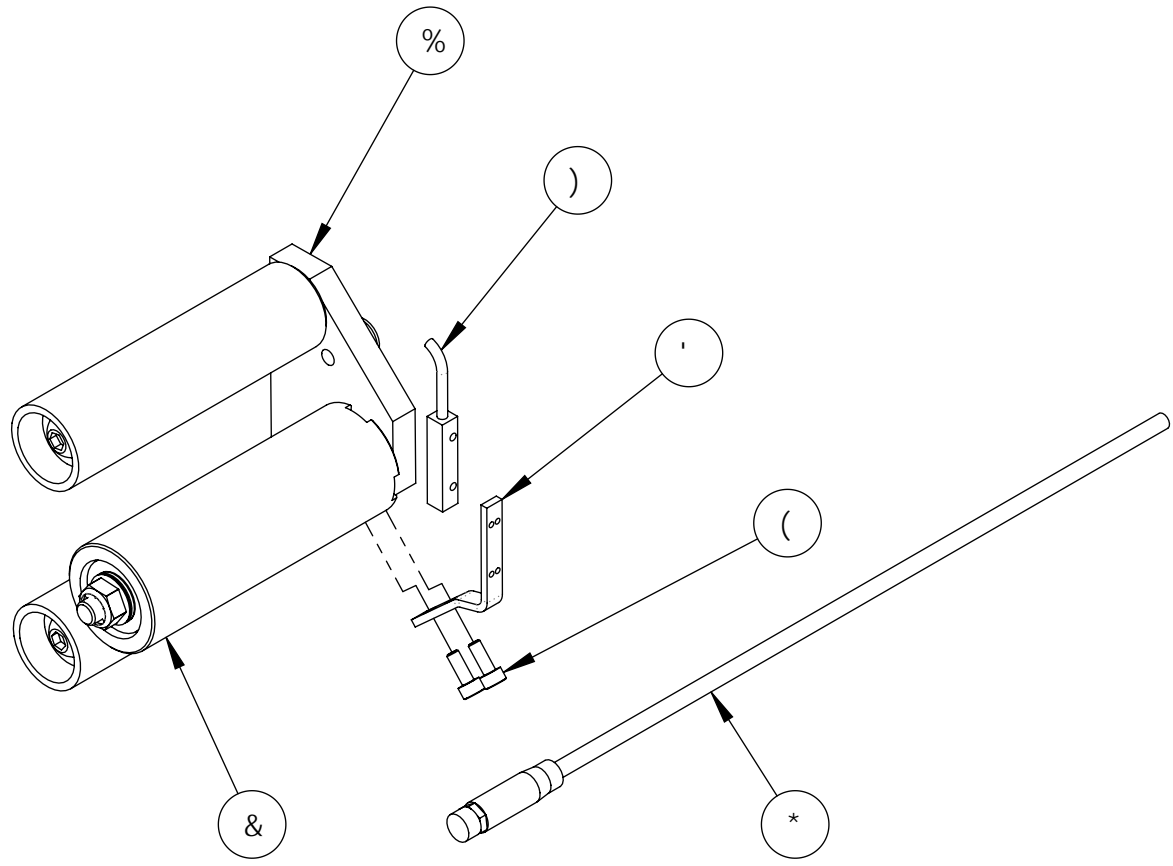
#DA	D5FH	8 9G7 F DHC B	I G<\$-' - E HM
%	I D<+%%\$	@B? FC 8	%
&	I D<+%%\$	FC 8 '9B8 '695 F B; ž%\$'a a 'F"<"	%
'	I D<+%%\$&	FC 8 '9B8 '695 F B; ž%\$'a a '@<"	%
(I :%* *%	<9L '>5A 'BI HA %\$!%) '@: H	%
)	I :'+\$,	<9L '>5A 'BI HA %\$!%)	%
*	I :*' , ,	BMCB : "K "%\$") I '%* I '\$',)	(
+	I :*' , -	BMCB : "K "%\$* I '%* I '\$")	&
,	I : '\$- &	BMCB K 5G<9F '&* I '%* I '&	%



#DA	D5FH,	8 9G7 F DHC B	I G<\$ (,) #E HM	I G<\$ (, * #E HM	I G<(\$, + #E HM	I G<\$ (, , #E HM
%	I 5<\$&()	K D-B; 'H5 6'A FFC F '5 GGfM&"	%	!	%	!
%	I 5<\$&(*	K D-B; 'H5 6'A FFC F '5 GGfM' "	!	%	!	%
&	I D<' - &,	G9BGC F '6F57 ?9HA FFC F	%	%	%	%
'	7 C A 9G'K #k 'G9BGC F	A %"!\$") 'G<7 G	&	&	&	&
(I : ' %()	GG'G<7 G'A ' !"\$) 'I '* 'a a	&	&	&	&
)	I DA + ' &,	D<C HC 9@97 HF 7 'G9BGC F 'DBD	%	%	!	!
)	I DA + ' &-	D<C HC 9@97 HF 7 'G9BGC F 'BDB	!	!	%	%



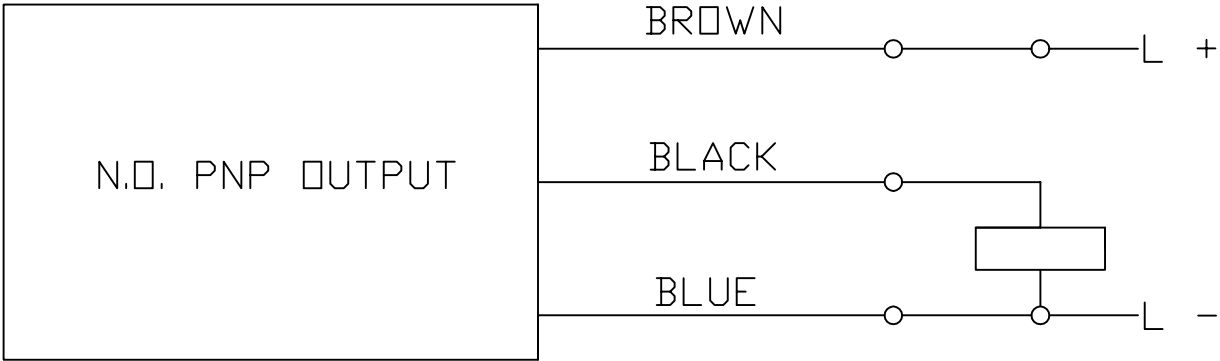
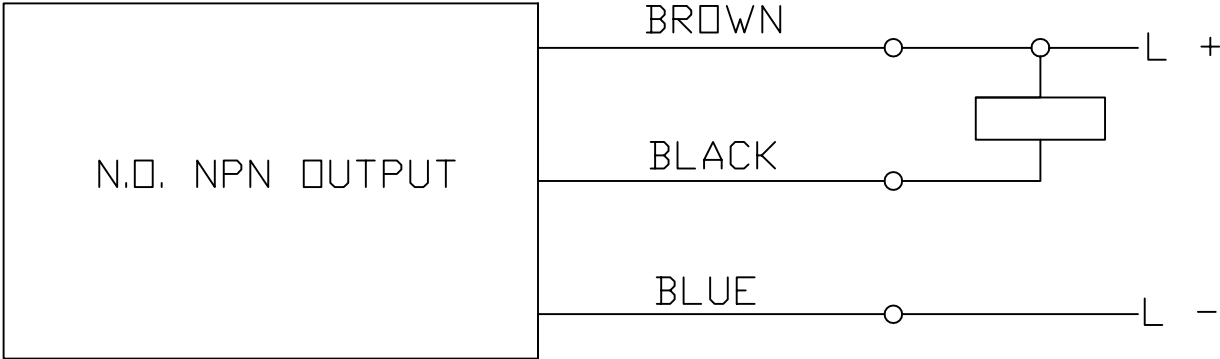
±DA	D5FH.	89G7 F ðH€ B	E HM
%	I DA ((,)	G7 ? 'N'G9F 9G' B DB 'G9B GC F	%
&	I : (&)	: @5HK 5G< 9F	%
'	I DA '\$' &\$	A %&'7 56@9	%
(I D<%() *	A 5B8F9@5FA	%




#9A	D5FH.	8 9G7 F ðHC B	I G<+\$) - ' E HM
%	I D<' +%	7 @ H7 < '6F57?9HA ₣FC F	%
&	I 5<\$&(%	7 @ H7 < 'K "695F ð; " "!'BHA ₣	%
'	I D<- \$+&	G9BGC F '6F57?9H	%
(I :*(\$\$	G<7 GA '! \$") ' ;	&
)	I DA +' &-	DFCL)L) a a 'E 8 '9LH8 ðH! 'BDB	%
*	I DA +' ' \$	A , '756@	%

LTNT SENSOR DIAGRAM OUTPUT TYPE

TAPE HEADS SHIPS WITH NPN SENSORS



CONTACT FACTORY FOR PNP SENSORS

	
ELECTRICAL SCHEMATIC SENSOR OUTPUT DIAGRAM EL0001045	
FILE: EL0001045-02.dwg	
USED ON: LTNT TAPE HEAD SYSTEM	
ENG BY: BH	DATE: 08/13/2012
DWN BY: BH	REV: 1
SHEET 1 OF 1	SIZE
EL0001045-02.dwg	A