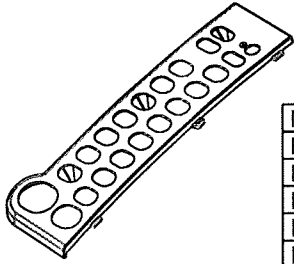


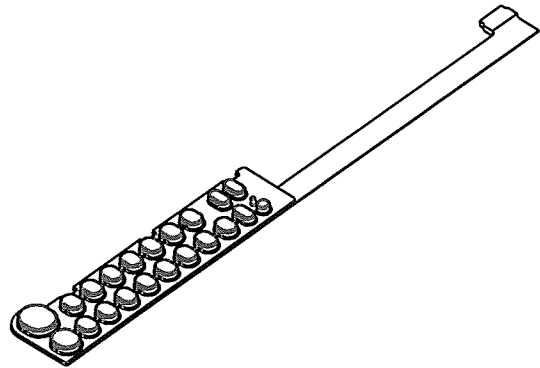
BP555e ITEM LIST
Better Packages, Inc.®
 Shelton, CT 06484

REVISED 11/04/2011



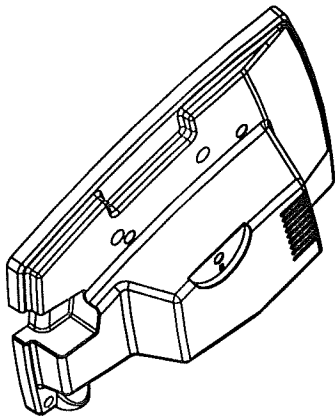
ITEM 1 - BEZEL

MODEL	PART NUMBER
ES	E555-039-01
ESA	E555-039-02
EL	E555-039-03
ELA	E555-039-04
EMA	E555-039-06
EJA	E555-039-08
EFA	E555-039-10

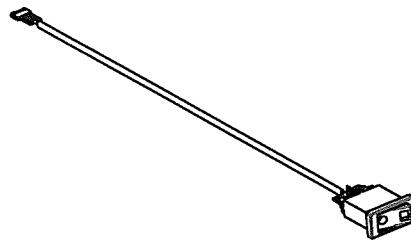


ITEM 2 - MEMBRANE SWITCH PAD ASSY

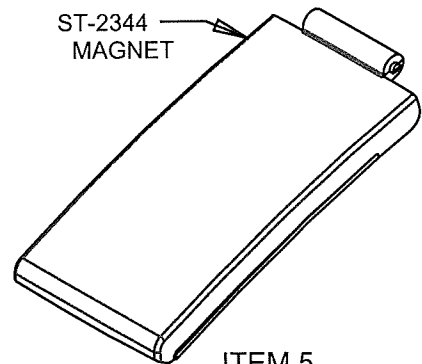
MODEL	PART NUMBER	PAD ONLY P/N	SWITCH ONLY P/N
ES	E555-003-01	E555-003-01-PAD	E555-003-01-SW
ESA / EFA	E555-003-02	E555-003-02-PAD	E555-003-01-SW
EL	E555-003-03	E555-003-03-PAD	E555-003-01-SW
ELA	E555-003-04	E555-003-04-PAD	E555-003-01-SW
EMA / EJA	E555-003-06	E555-003-06-PAD	E555-003-01-SW



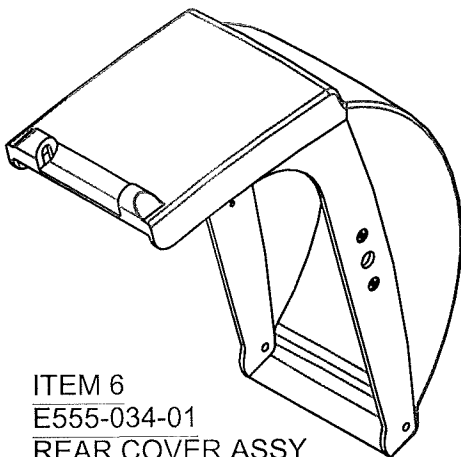
ITEM 3
E555-031-00
RIGHT COVER



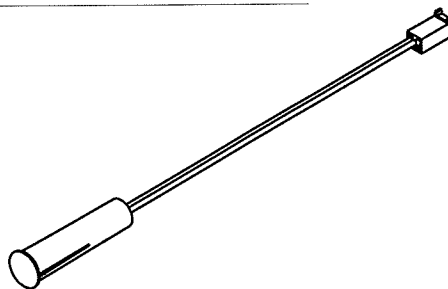
ITEM 4
E555-071-01 - SWITCH ASSY



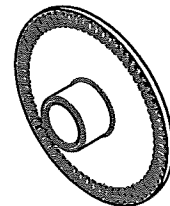
ITEM 5
E555-035-01
TOP COVER ASSY



ITEM 6
E555-034-01
REAR COVER ASSY



ITEM 7
E555-075-01
MAGNETIC PROXIMITY SWITCH ASSY



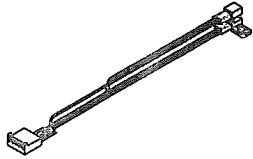
ITEM 8
E555-150-00 -
PLASTIC ENCODER DISK
SEE NOTE BELOW

NOTE:
METAL ENCODER DISK IS NO LONGER AVAILABLE
REPLACE METAL ENCODER DISK WITH PLASTIC ENCODER DISK.
CONVERTING TO PLASTIC DISK REQUIRES A COMPATIBLE
FEED WHEEL ASSY (ITEM 47 - P/N E555-024-01) WHICH MUST
BE ORDERED SEPARATELY

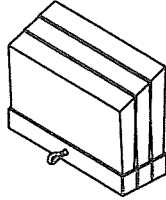
BP555e ITEM LIST

 **Better Packages, Inc.®**

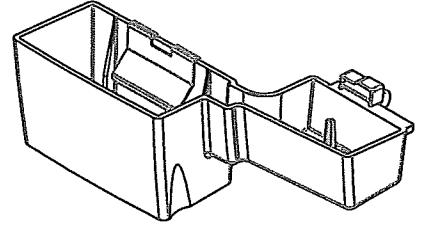
Shelton, CT 06484



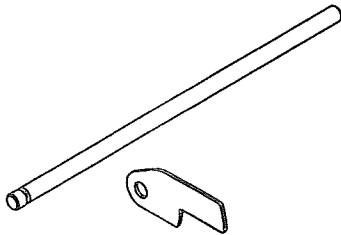
ITEM 9
E555-068-01
SENSOR LENGTH ASSY



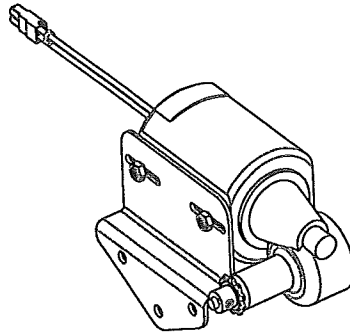
ITEM 10
E555-132-01 - BRUSH ASSY



ITEM 11
E555-033-01 - TANK ASSY

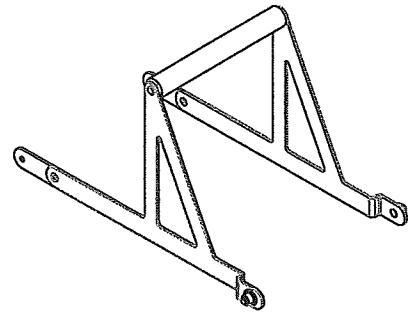


ITEM 12
E580-SA, PIVOT ROD
E580-RA, RETAINER

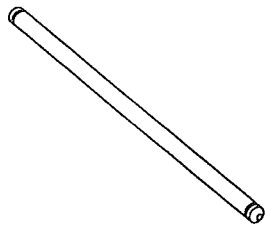


ITEM 13 - MOTOR BRACKET ASSY

MODEL	PART NUMBER
ESA / ELA	E555-044-01
EL / ES	E555-044-02
EFA / EMA	E555-044-03
EJA	E555-044-03



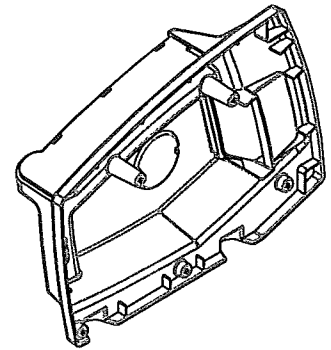
ITEM 14
E555-098-01
ASSY, LIFT ROLLER BRACKET



ITEM 15
E555-060-00
REAR PIVOT PIN



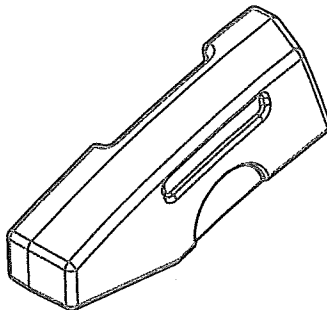
ITEM 16
E555-090-00
SPRING, EXTENSION-SWIVEL ENDS



ITEM 17
E555-030-00 - LEFT COVER



ITEM 18
E555-037-00
BOTTLE RETAINER

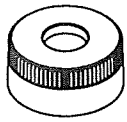


ITEM 19
E55526400 - WATER BOTTLE

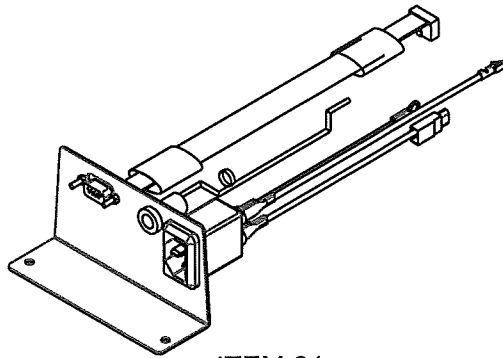


Better Packages, Inc.®

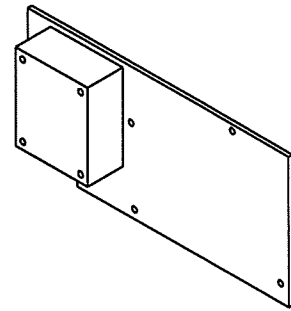
Shelton, CT 06484



ITEM 20
E555-160-01
ASSY, BOTTLE CAP

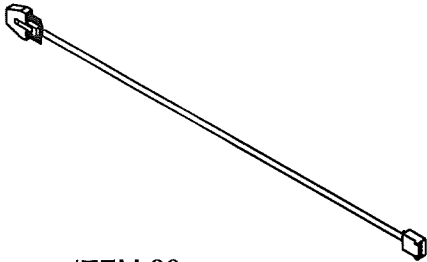


ITEM 21
E555-023-01
CONNECTOR PLATE ASSY

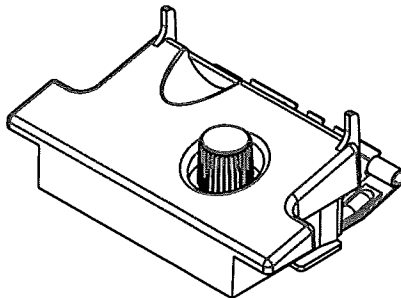


ITEM 22 - ASSY, E555 BOARD

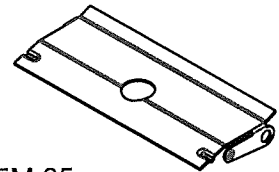
MODEL	PART NUMBER
ESA	E555-001-01
ELA	E555-001-02
EL	E555-002-02
ES	E555-002-01
EJA	E555-001-03
EFA / EMA	E555-001-06



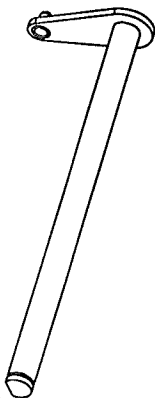
ITEM 23
E555-069-01
SENSOR ASSY



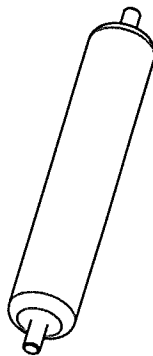
ITEM 24
E555-007-01 - TOP HEATER ASSY



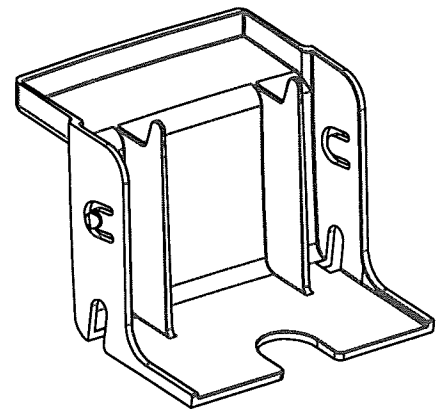
ITEM 25
E555-136-00
LOWER HEATER PLATE



ITEM 26
E555-084-01
LINK, CUTTER LIFT CAM



ITEM 27
E555-051-01
ROLLER ASSEMBLY

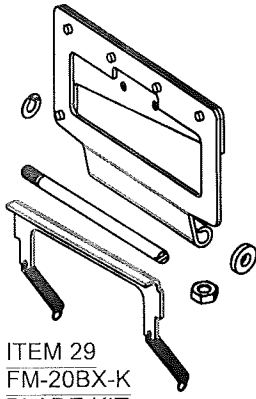


ITEM 28
E555-032-00 - TANK SHEL

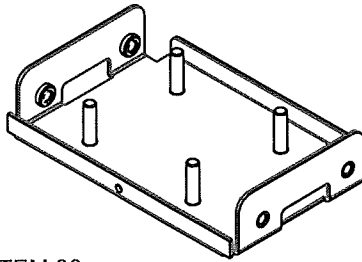
BP555e ITEM LIST

 **Better Packages, Inc.®**

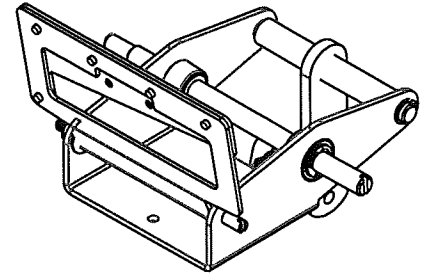
Shelton, CT 06484



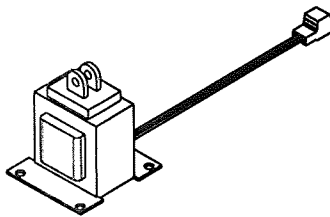
ITEM 29
FM-20BX-K
BLADE KIT



ITEM 30
E555-014-01
SOLENOID SHELF

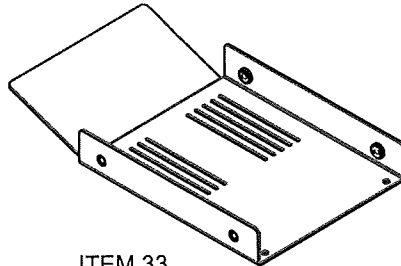


ITEM 31
E555-049-01
CUTTER YOKE ASSY

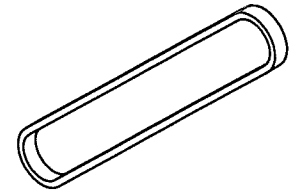


ITEM 32 - SOLENOID

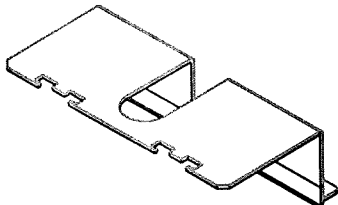
MODEL	PART NUMBER
ESA / ELA	E555-005-01
EL / ES	E555-005-02
EFA / EMA	E555-005-03
EJA	E555-005-03



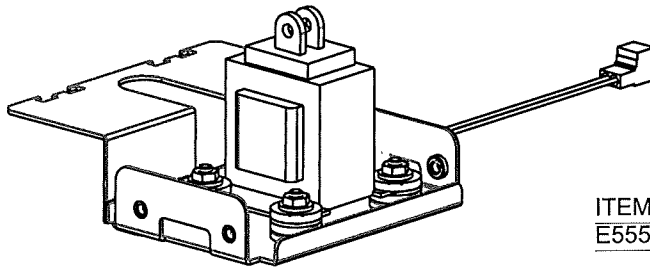
ITEM 33
E555-050-01 - BASKET ASSY



ITEM 34
ND116 - MOTOR CHAIN

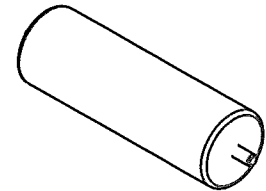


ITEM 35
E555-235-0 - ACCESS PLATE



ITEM 36 - SOLENOID SHELF ASSY

MODEL	PART NUMBER
ESA / ELA	E555-048-01
EL / ES	E555-048-02
EFA / EMA	E555-048-03
EJA	E555-048-03

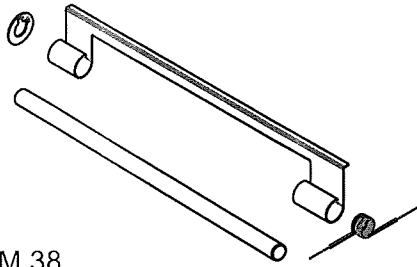


ITEM 37
E555-241-01 - ASSY, ROLLER PLASTIC

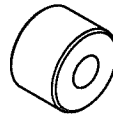
BP555e ITEM LIST

 **Better Packages, Inc.®**

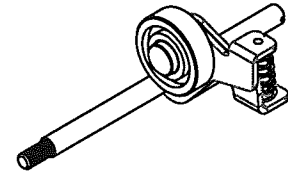
Shelton, CT 06484



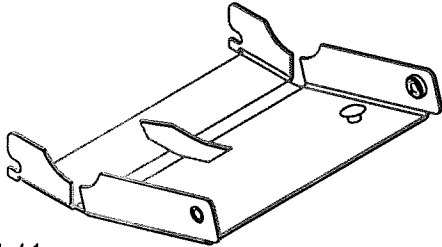
ITEM 38
SA10XXK - FELT & BRACKET KIT



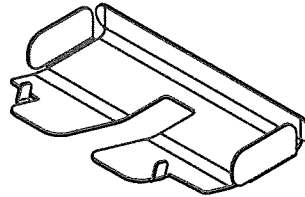
ITEM 39
FM-18 - SHEAR GUIDE ROLLER



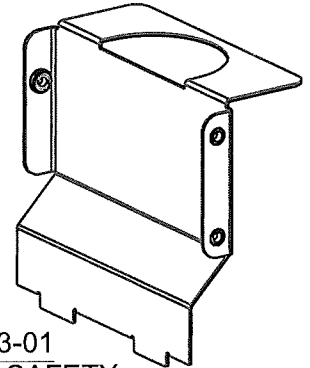
ITEM 40
E555-053-01
IDLER ASSY



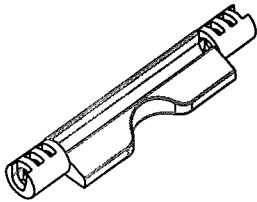
ITEM 41
E555-137-01 - LOWER TAPE PLATE



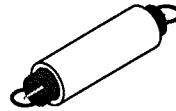
ITEM 42
E555-018-00
UPPER TAPE GUIDE



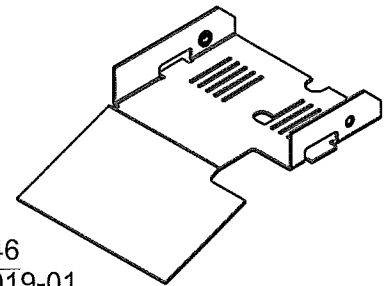
ITEM 43
E555-083-01
BAFFLE-SAFETY



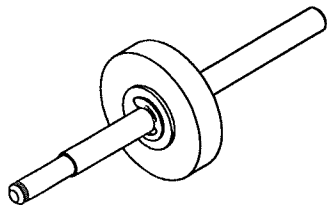
ITEM 44
E555-077-00
CAM, CUTTER LIFT



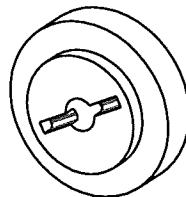
ITEM 45
E555-074-01 - SPRING ASSY



ITEM 46
E555-019-01
VERTICAL TIE PLATE ASSY



ITEM 47
E555-024-01
FEED WHEEL ASSY



ITEM 48
E555-065-00
FEED WHEEL

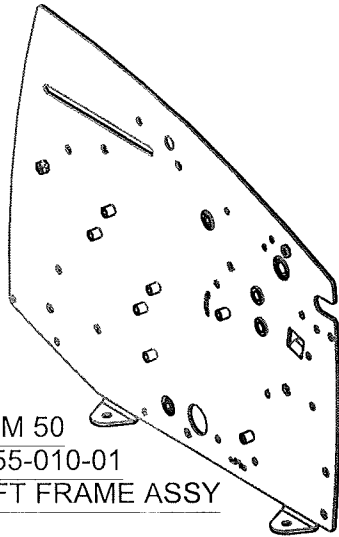


ITEM 49
E555-078-00
LINK, CUTTER LIFT CAM

BP555e ITEM LIST

 **Better Packages, Inc.®**

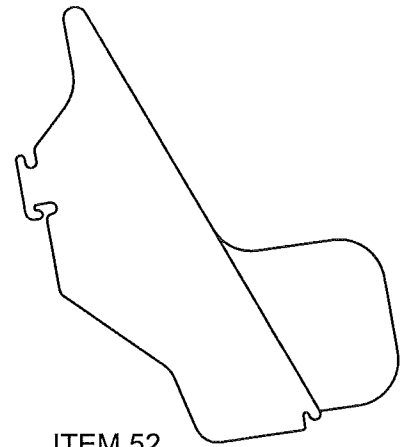
Shelton, CT 06484



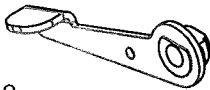
ITEM 50
E555-010-01
LEFT FRAME ASSY



ITEM 51
ST-2929-KIT -HEATER KNOB



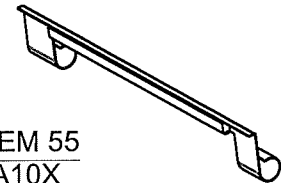
ITEM 52
E555-064-00 - SIDE GUIDE



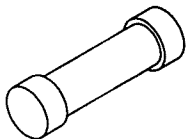
ITEM 53
E555-079-01
CUTTER LIFT LEVER



ITEM 54
E555-085-01
LINK, CUTTER LIFT

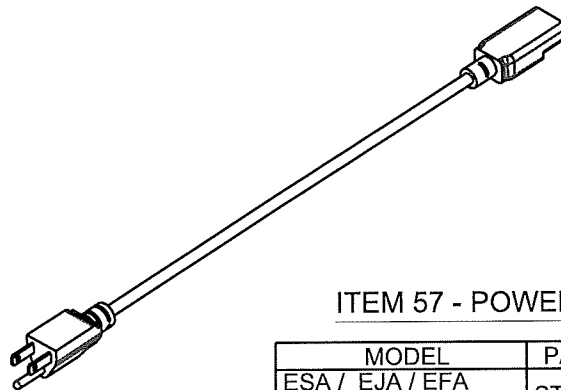


ITEM 55
SA10X
FELT/BRACKET ASSY
SEE ITEM 38 FOR KIT



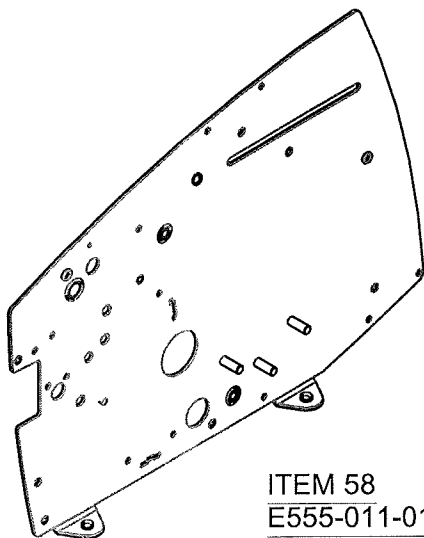
ITEM 56 - FUSE, CONNECTOR PLATE

MODEL	PART NUMBER
ESA / EJA / ELA EL / ES	ST-2341
EFA / EMA	ST-2490



ITEM 57 - POWER CORD

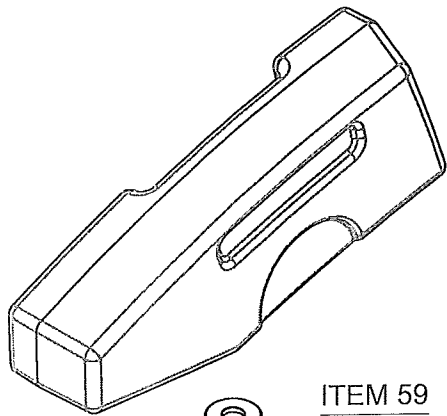
MODEL	PART NUMBER
ESA / EJA / EFA ELA / EL / ES	ST-484
EMA	ST-2004



ITEM 58
E555-011-01
RIGHT FRAME ASSY

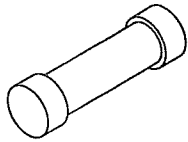
BP555e ITEM LIST

Better Packages, Inc.®
 Shelton, CT 06484



ITEM 59

E55526401 – WATER BOTTLE KIT

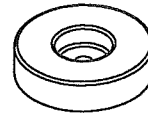


ITEM 61 - FUSE, FOR PC BOARD

MODEL	PART NUMBER
ESA / EJA / ELA EL / ES	ST-2128
EFA / EMA	ST-2484



ITEM 60
E555-055-01
BADGE



ITEM 62
E555-054-00 - FOOT

BP555e ITEM LIST

 **Better Packages, Inc.®**
Shelton, CT 06484